

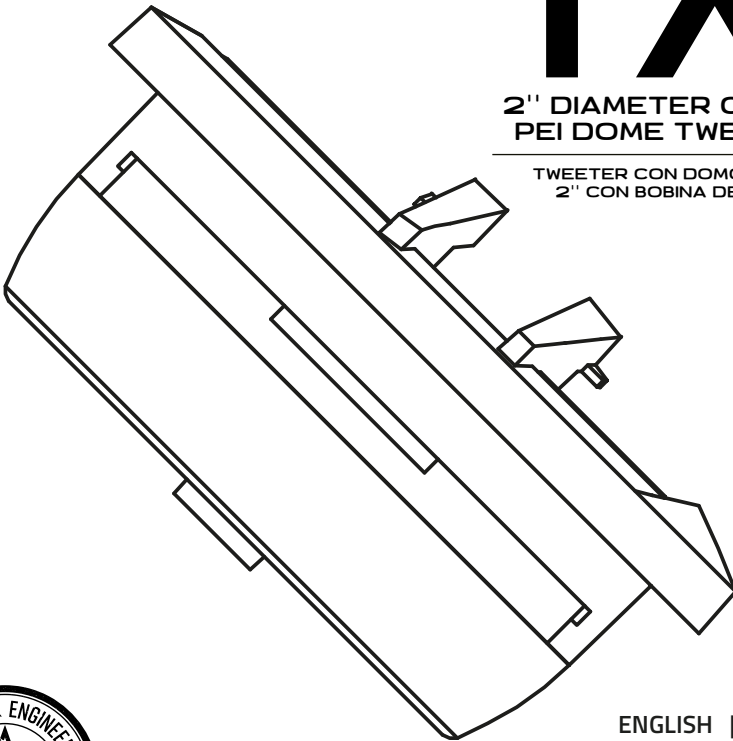
# DS18<sup>®</sup>

## OWNER'S MANUAL

# TX1

2" DIAMETER 0.5" VC  
PEI DOME TWEETER

TWEETER CON DOMO PEI DE  
2" CON BOBINA DE 0.5"

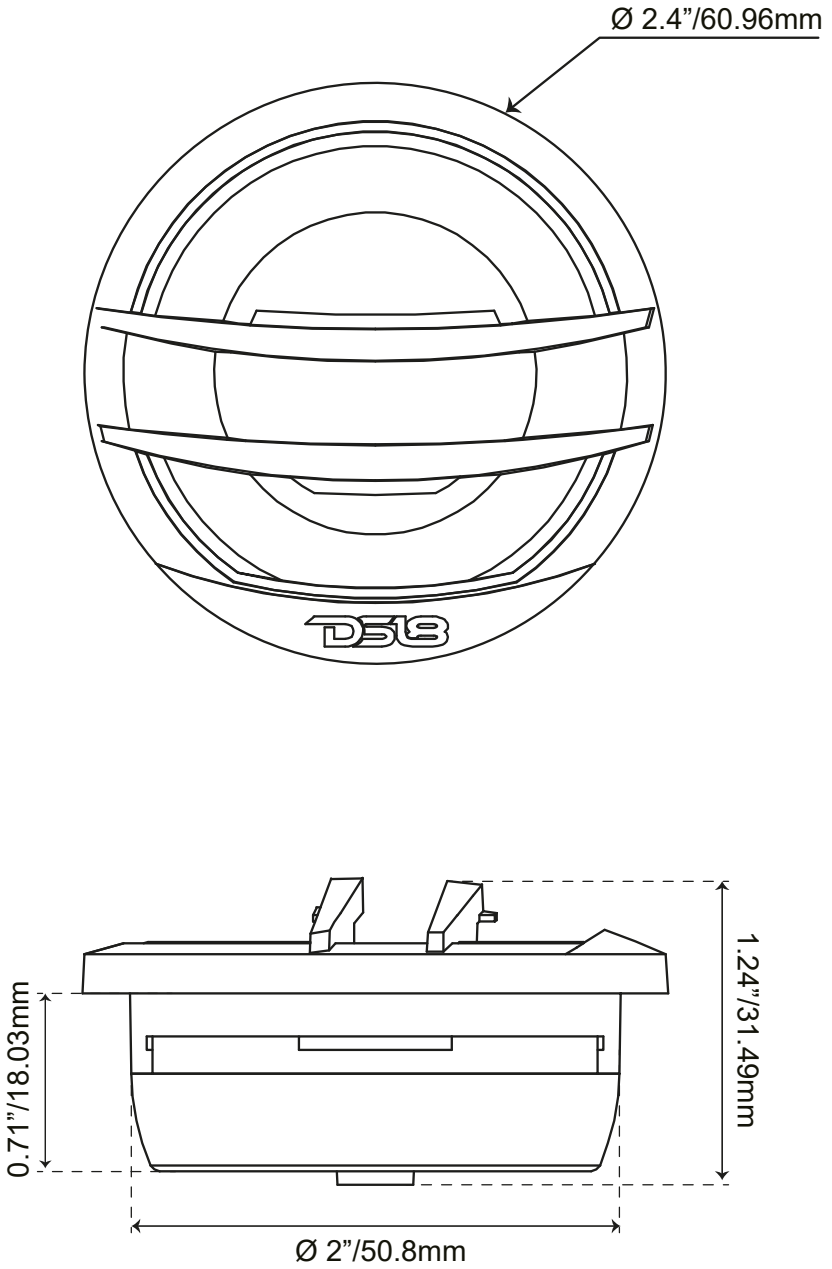


ENGLISH | ESPAÑOL



AVAILABLE IN RED (TX1R) OR SILVER (TX1S)  
DISPONIBLE EN ROJO (TX1R) O PLATEADO (TX1S)

# TX1





## Specifications / Especificaciones:

|   |            |
|---|------------|
| Nominal Diameter / <i>Diámetro Nominal</i> .....                                | 2"         |
| Nominal Impedance / <i>Impedancia Nominal</i> .....                             | 4 ohms     |
| AES Power Handling / <i>Manejo de Potencia AES</i> .....                        | 25 Watts   |
| Program Power Handling / <i>Manejo de Potencia del Programa</i> .....           | 50 Watts   |
| Peak Power Handling / <i>Manejo de Potencia Pico</i> .....                      | 200 Watts  |
| Sensitivity (1w/1m) / <i>Sensibilidad (1w/1m)</i> .....                         | 88dB       |
| Frequency Response / <i>Respuesta de Frecuencia</i> .....                       | 2KHz-20KHz |
| Recommended Hi Pass Crossover / <i>Crossover de Paso Alto Recomendado</i> ..... | 3KHz       |

## Motor:

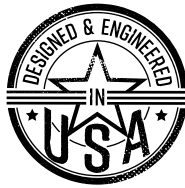
|   |                              |
|---|------------------------------|
| VC Diameter / <i>Diámetro de la Bobina de Voz</i> .....             | 0.5"                         |
| VC Former Material / <i>Material Interior de Bobina Móvil</i> ..... | KSV                          |
| Diaphragm Material / <i>Material del Diafragma</i> .....            | PEI Dome / <i>Cupula PEI</i> |
| Magnet Material / <i>Material del Imán</i> .....                    | Ferrite / <i>Ferrita</i>     |
| Body Material / <i>Material del Cuerpo</i> .....                    | Plastic / <i>Plastico</i>    |

## Measurements / Medidas:

|  |               |
|--|---------------|
| Overall Diameter / <i>Diámetro Total</i> .....                         | 2.4"/60.96mm  |
| Overall Depth / <i>Profundidad Total</i> .....                         | 1.24"/31.49mm |
| Front Mount Baffle Cutout / <i>Corte del orificio de montaje</i> ..... | 2"/50.8mm     |
| Mounting Depth / <i>Profundidad de Montaje</i> .....                   | 0.71"/18.03mm |



**WE LIKE IT LOUD**



FOR MORE INFORMATION  
PLEASE VISIT  
[DS18.COM](http://DS18.COM)

*WE LIKE IT LOUD*

The DS18 logo, featuring the letters "DS18" in a bold, stylized, italicized sans-serif font. The "1" is a vertical bar between the "S" and "8". A registered trademark symbol (®) is located to the upper right of the "8".

**DS18<sup>®</sup>**