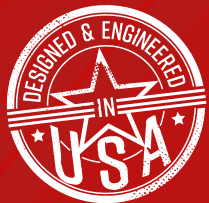


D518[®]



SQBASSx2
OWNER'S MANUAL

Thank you for your DS18 SQBASSx2 purchase. In order to enjoy the best service from us please keep your original invoice well and complete the warranty card. If you have any questions, or need technical support please email us at: customerservice@ds18.com

SPECIFICATIONS

SOUND	
RMS Power / Peak Power	230W / 1200W
Frequency Response	34 ~ 400 Hz
WOOFER	
Slim Woofer	7x9" Under Seat Amplified Subwoofer with 4x6" Radiator
Unit Dimensions	308 x 200 x 71mm
Net Weight	4.95kg
Diaphragm Material	Polypropylene
Surround	Rubber
AMPLIFIER	
N - Power / Peak Power	230W / 1200W
Low Pass Crossover	50 ~ 150 Hz
Input Sensitivity	0.1 ~ 5.0V (RCA Input) 0.5 ~ 10.0V (Speaker Level Input)
ACCESSORIES	
Remote Knob	Cable Length 5m Adjustmet Range 0 to -30dB

ACCESSORIES LIST

1 x Insert Power Cable
1 x Remote Control
4 x Bracket
8 x Screws
8 x Brackets Screws
2 x Magic tape (30x100mm)



WARNING



Do not operate any function that takes your attention away from driving your vehicle safely.

Any function that requires your prolonged attention should only be performed after coming to a complete stop.

Always stop the vehicle in a safe location before performing these functions. Failure to do so may result in an accident

Keep the volume at a level where you can still hear outside noises while driving.

excessive volume levels that obscure sounds such as emergency vehicle sirens or road arning signals (train crossing, etc) can be dengerous and may result in an accident. Listening at loud volume levels in a car may also cause hearing damage.

Do not disassemble or alter. Doing so may result in a accident, fire or electricl shock.

Use this product for mobile 12V applications.

Use the correct ampere rating when repolacing fuses. Failure to do so may resultin a fire or electricl shock.

Do not block vents or radiator panels. Doing so may cause heat to build up insideand may result in fire.

Make the correct connections. Failure to make the propper connection may result in fire and/or product damage.

Use only in vehicles with a 12V Negative Ground. Failure to do so may result in fire and/or product damage. (Check with your dealer if you are not sure)

Before wiring, disconnect the cable from the negative battery terminal.

Do not allow cables to become entangled in surrounding objects. Arrange wiring cables in compliance with the manual to prevent obstructions when driving. Cables or wiring that obstruct or hang up on places such as the steering wheel.

Do not splice into electrical cables. Never cut away cable insulation to supply power to other equipment. Doing so will exceed the current carrying capacity of the wire and result in fire or elictrical shock.

Do not damage pipe or wiring when drilling holes. When drilling holes in the chassis for instalation, take precautions so as not to contact, damage or obstruct pipes, fuel lines, tanks or electrical wiring. Failure to take such precautions may result in fire.

Do not use bolts or nuts in the brake or the steering system o make ground connections.

Keep small objects such as bolts or screws out of the reach of children. Swalloing them may result in serious injury. If swallowed, consult a physician immediately.

WE LIKE IT LOUD

SOBASSx2

CAUTION



Stop use immediately if a problems appears. Failure to do so may cause personal injury or damage to the product.

Return it to your athorized dealer or the nearest Service Center for repairing.

Have the wiring and installation done by experts. The wiring and installation of this unit requires special technical skills and experience. To ensure safety, always contact the dealer where you purchased this product to have the work done.

Use specified accessory parts and install then securely. Be sure to use only the specified accesyory parts. The use of other than the designated parts may damage the unit internally or may not security install the unit in place.

Arrange the wiring so it's not crimped or pinched by a sharp metal edge. Rout the cables and wiring passes (like the seat rails) or sharp or pointed edges. This will prevent pinching and damage to the wiring. If wire passes through a hole in metal, use a rubber grommet to prevent the wire's insulation from being cut by the metal edge of the hole.

Do not install in locations with high moisture or dust. Avoid installing the unit in locations with high incidence of moisture or dust. Moisture or dust that penetrate the unit may result in product failure.

WARRANTY

Should your amplifier require service: Please consult with the dealer from which it was purchased, or contact DS18 CAR AUDIO Local Dealer. Do not attempt to return your amplifier directly to us without first calling for a Return Authorization Number. Units received without any accompanying Return Authorization Number will be processed more slowly. Additionally, you must include a copy of your purchase receipt from an authorized dealer for consideration of in-warranty service; otherwise repair charges will apply. Units received without a receipt will be held for 30 days, allowing us time to contact you and obtain a copy of the receipt. After 30 days, all units will be returned.



DS18.COM

WE LIKE IT LOUD

SQBASSx2

INSTALLATION

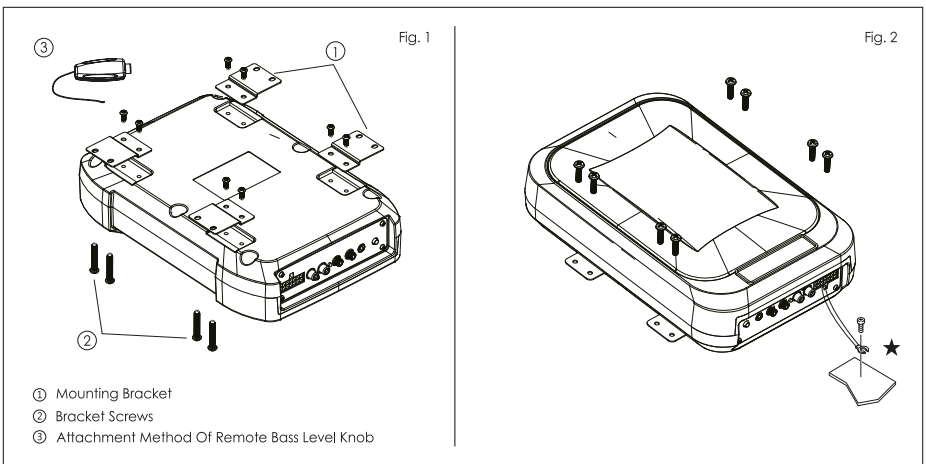


Caution on connection terminal/parts. Keep electrically conductive objects away from the units terminals/parts (power terminals, fuses, speaker input terminals, RCA connectors, etc) Doing so prevents a possible short circuit and damage to the unit.

Mounting: Attach the including mounting brackets to the SQBASSX2 with the supplied screws. (at Fig. 1) Once the brackets are mounted to the SQBASSX2 place the subwoofer in the desired location within the vehicle. Before securing with screws, check to make sure all screws can affix to a structurally solid surface while avoiding vehicle wiring, components, etc. (at Fig. 2)

NOTE:

For securing the mounting brackets to the vehicle, it may be necessary to use longer screws (not included) to securely connect the ground lead, use an already installed screw on the metal part of the vehicle. (mark this as a good ground by checking continuity to the battery (-) terminal. To avoid and reduce as much noise as possible, please connect all equipment to the same ground point.



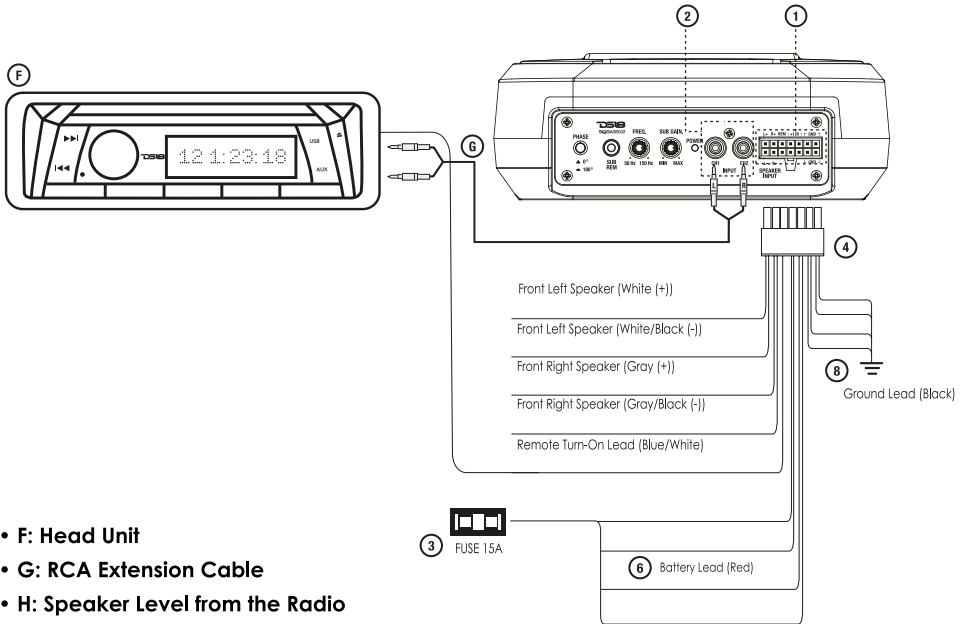
WE LIKE IT LOUD

SQBASSx2

MAKING CONNECTIONS:

- Turn every audio component OFF
- Connect the red battery lead from the amp to the positive (+) terminal of the vehicle's battery
- Locate the unit and rout the leads at least 10 cm (3-15/16") away from the vehicle's harness
- Keep the battery power leads as far away from other leads as possible
- Connect the ground lead securely to a bare metal spot from the vehicle's chassis (remove any paint or grease if necessary)

NOTE: Head unit and RCA extension cables are sold separately



- **F: Head Unit**
- **G: RCA Extension Cable**
- **H: Speaker Level from the Radio**
- **1: Main Connector**
- **2: RCA Input Jack**
- **3: Fuse (15A)** Use only the correct ampere rating when replacing fuses. Failure to do so may result in fire or electric shock
- **4: Input/Power Wire Harness**
- **5: Speaker input lead system** These input leads are ment to be used with head units not equipped with preamp outputs. When not using the RCA Line Input connectors, you should connect these wires to the speaker output leads of your head unit.

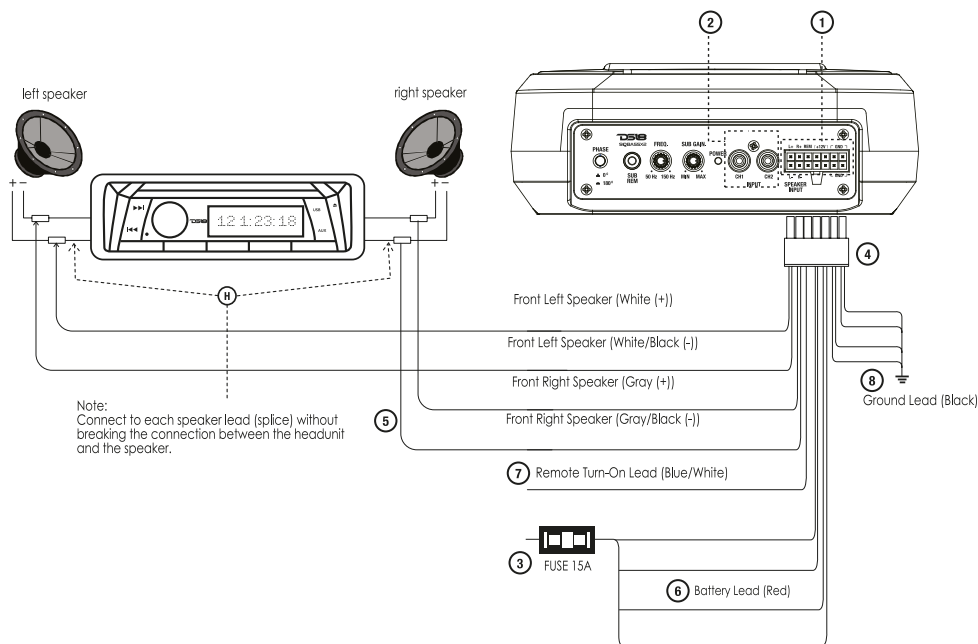
INPUT/POWER CONNECTOR



- **6: Battery Lead (RED)** Connect battery lead directly to battery (+) terminal Be sure to add a 15A fuse (sold Separately) as close as possible to the battery (+) terminal
- **7: Remote Turn-On lead (Blue/White)** Connect this lead to the remote turn on (positive trigger, 12V ONLY) lead of your head unit
- **8: Ground Lead (Black)** Connect this lead securely to a clean, bare metal spot on the vehicle's chassis.

Verify this point to be a true ground the vehicle's chassis.

Verify this point to be a true ground negative (-) terminal of the vehicle's battery



WE LIKE IT LOUD

SOBASSx2

SWITCH SETTING



- **9: Phase switch 0° to 180°** Subwoofer output phase can be set to subwoofer Normal 0° (Button Out) or Subwoofer Reverse 180°
- **10: Crossover Frequency Adjustment Knob (LP FILTER)** Use this control to adjust the crossover frequency between 50 to 150 Hz
- **11: Input Gain Adjustment Control** If the Remote Bass Level Knob will be connected in your system, make sure to rotate the knob fully clockwise (set to "+") before making the input gain adjustment. Using a dynamic CD as a source, increase the head unit volume until the output distorts. Then, reduce the volume 1 step (or until the output is no longer distorted) Now increase the amplifier gain until the sound from the speakers become distorted.
- **12: Power Indicator**

Indication Color	Status	Solution
Green	Amplifier circuit is normal	
LED is off	Amplifier circuit is abnormal. An electrical short has occurred, or supply current is too high. 15A fuse may be blown.	Turn off the power supply and eliminate the cause (replace necessary). Then turn on the unit and verify that the LED has turned on. If it remains off, turn off, turn off the unit and consult your dealer.
	Power supply voltage is too high.	Use the correct power supply voltage.
Red		

- **13 Remote Gain Adjustment Input** The Remote Gain Adjustment allows the user to adjust the overbass level of the subwoofer. Turning the remote bass level knob towards (+) increases the overall subwoofer level, while turning the bass level knob towards (-) decreases the overall subwoofer level.

Note: SQBASSX2 can be used without connecting the remote bass level knob. However, overall subwoofer level cannot be adjusted from the listening position

connection panel

