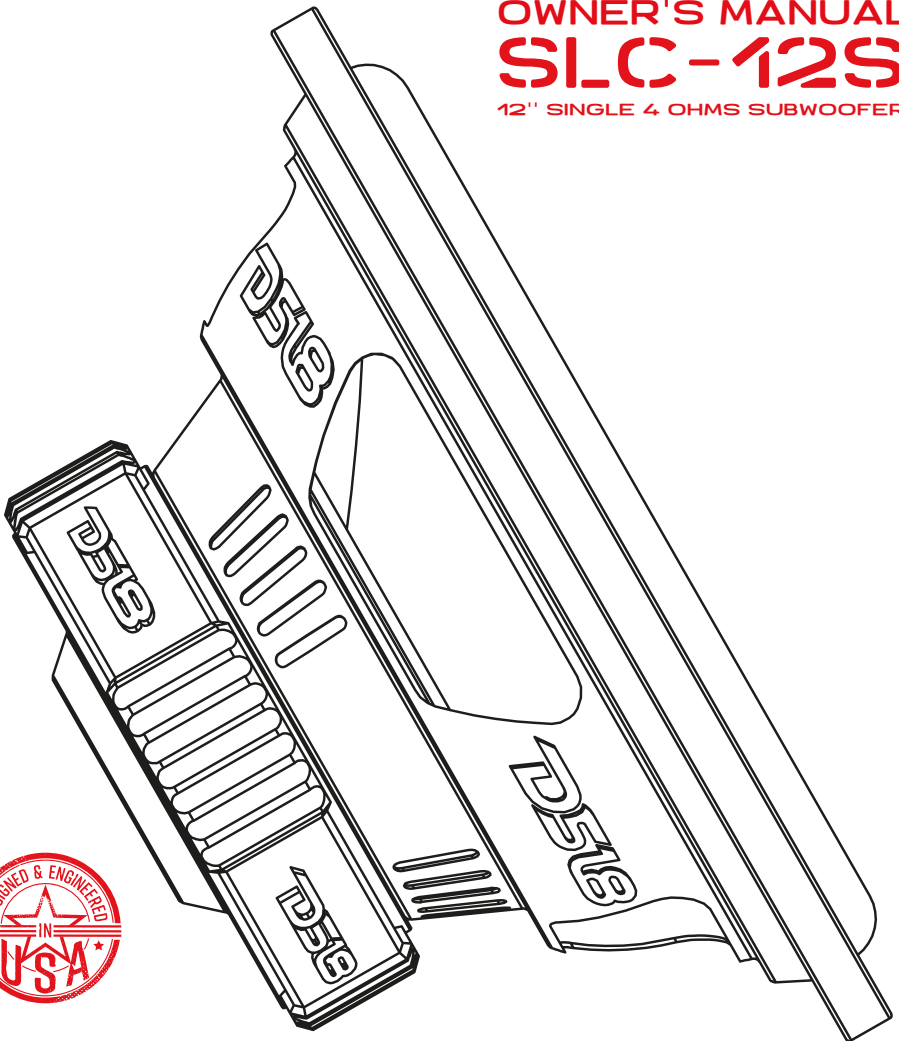


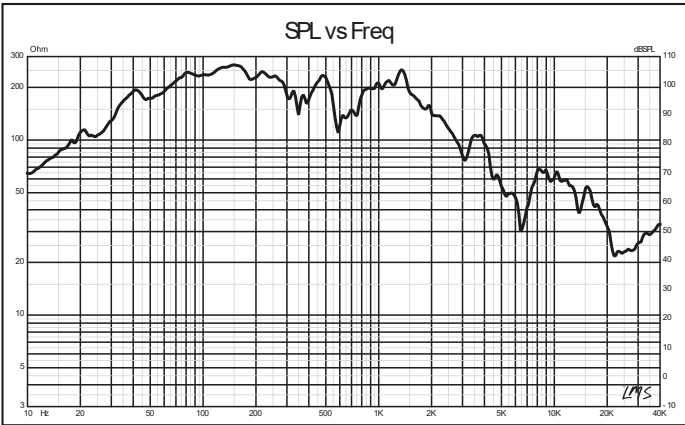
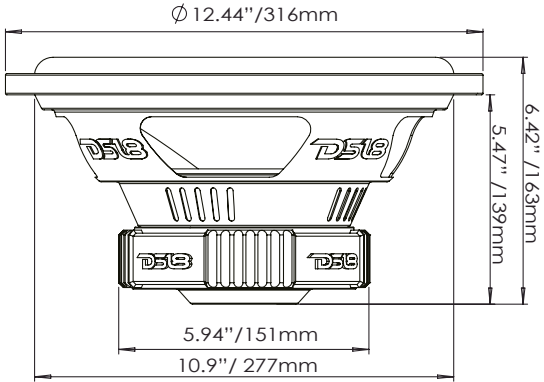
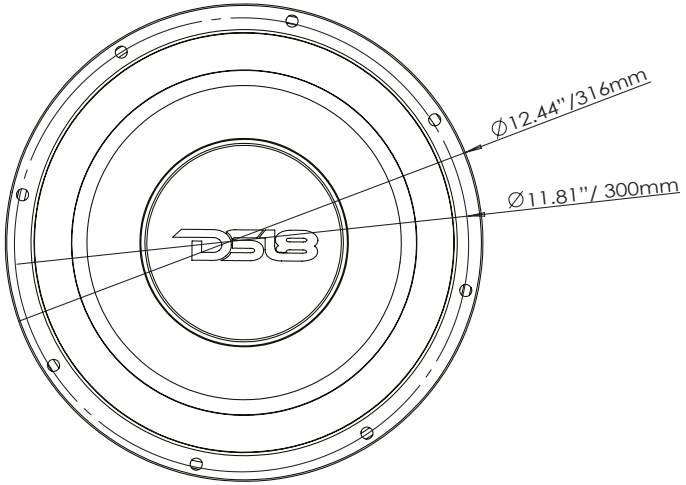
The DS18 logo is rendered in a bold, white, stylized font against a red background. The letters 'D', 'S', and '1' are connected, and the '8' is a simple, thick numeral. A registered trademark symbol (®) is located at the top right of the '8'.

DS18[®]

OWNER'S MANUAL
SLC-12S
12" SINGLE 4 OHMS SUBWOOFER



SLC-12S





Specifications

Nominal Diameter.....	12"
Nominal Impedance	4 ohms
RMS Power Handling	250 Watts
MAX Power Handling	500 Watts
Sensitivity (1w/1m)	90dB
Frequency Response.....	25Hz-4.2KHz
Recommended Lo Pass Crossover.....	90Hz

Motor

Voice Coil Diameter.....	2" / 50.8mm
Voice Coil Former Material	Aluminum
Winding Material	CCAW
Cone Material.....	Paper
Dust Cap Material.....	Paper
Surround Material.....	Foam
Basket Material	Steel
Basket Color/Finish.....	Glossy Black
Magnet Material.....	Ferrite
Magnet Weight.....	45 Oz

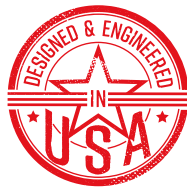
Thiele & Small Parameters

Equivalent Volume	Vas.....	32.8 L
Excursion (one way)	Xmax.....	17 mm
Free Air Resonance	Fs	41 Hz
Mechanical Factor	Qms	4.611
Electrical Factor	Qes.....	1.116
Total Factor	Qts.....	0.898
Moving Mass	Mms.....	174.993 g
Compliance	Cms.....	0.049 mm/H
BI Factor	Bl	12.946
Voice Coil Inductance	Le.....	1.018 mH
Diaphragm Area	Sd.....	530.93 cm ²
Dc Resistance	Re.....	3.4 ohms
Efficiency Bandwith Product	EBP.....	36.73

Measurement

Overall Diameter.....	12.44" / 316mm
Overall Depth.....	6.42" / 163mm
Front Mount Baffle Cutout.....	10.9" / 277mm
Mouting Depth.....	5.47" / 139mm
Motor Diameter.....	5.94" / 151mm

S1C-12S



FOR MORE INFORMATION
PLEASE VISIT
DS18.COM

WE LIKE IT LOUD

The DS18 logo, featuring the letters "DS18" in a bold, stylized, sans-serif font. The "D" and "S" are connected, and the "18" is slightly separated. A registered trademark symbol (®) is located to the upper right of the "8".

DS18[®]