



**PRO-X6.4BM**

**6.5" MIDRANGE LOUDSPEAKER WITH BULLET**

MAX Power Handling: 500 Watts

RMS Power Handling: 250 Watts

Frequency Response: 125Hz-12KHz

Voice Coil Diameter: 1.5" / 38.1 mm

Voice Coil Material: Kapton

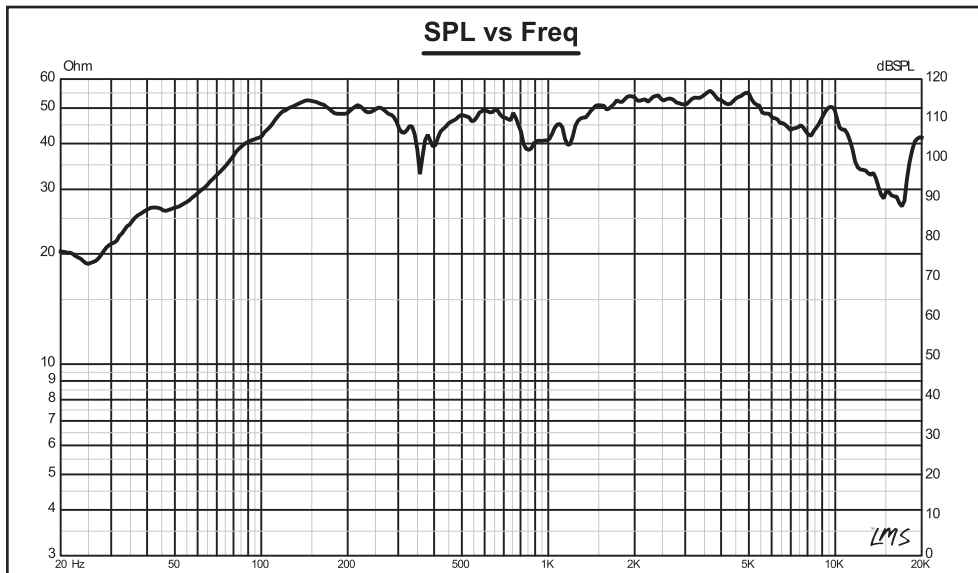
Nominal Impedance: 4 ohm

Sensitivity (1W/1M): 94dB

Magnet Weight: 30 oz

Magnet Material: Ferrite

Mounting Depth: 2.44" / 62 mm



**PRO-X6.4BM**

**6.5" MIDRANGE LOUDSPEAKER WITH BULLET**

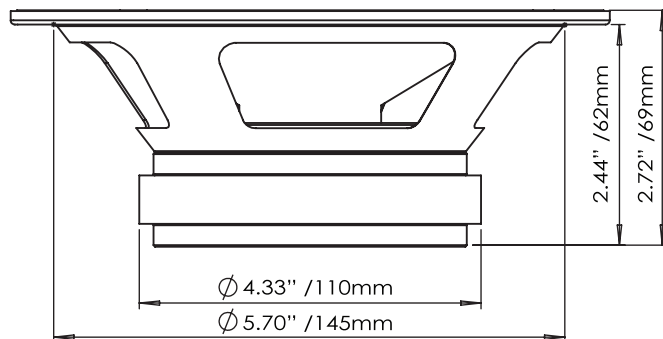
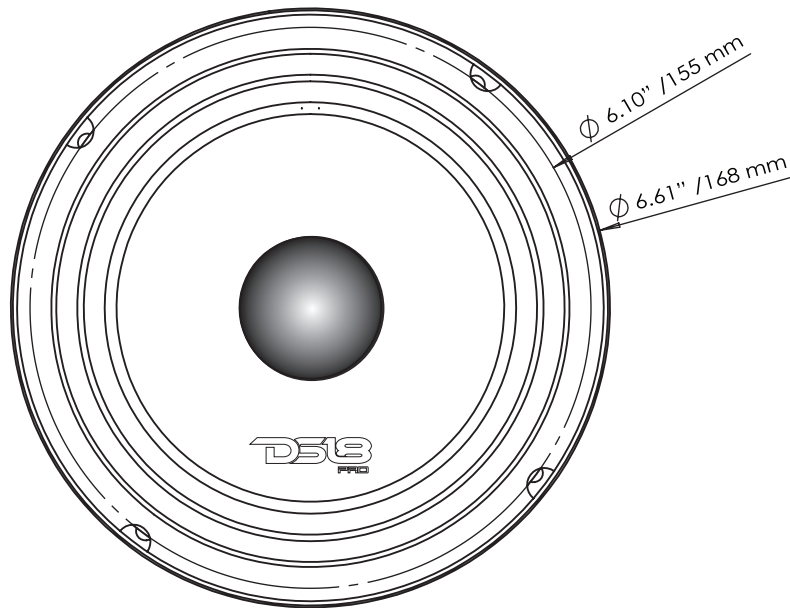


**OWNER'S MANUAL**



# PRO-X6.4BM

## Data Sheet



DS18.COM

PRO-X6.4BM 6.5 INCH MIDRANGE LOUSPEAKER WITH BULLET

### Specifications:

Nominal Diameter .....	6.5" (165.1 mm)
Nominal Impedance .....	4 ohms
MAX Power Handling .....	500W
RMS Power Handling .....	250W
Sensitivity (1w/1m) .....	94dB
Frequency Response .....	125Hz - 12KHz
Recommended Hi Pass Crossover .....	120 Hz

### Midrange:

Voice Coil Diameter .....	1.5" (38.1 mm)
Voice Coil Former Material .....	Kapton
Winding Material .....	CCAW
Basket Material .....	Steel
Magnet Weight .....	30 oz

### Thiele & Small Parameters:

Equivalent Volume .....	Vas .....	3.810 LTR
Excursion .....	Xmax .....	8.2mm
Free Air Resonance .....	Fs .....	106 Hz
Mechanical Factor .....	Qms .....	8.027
Electrical Factor .....	Qes .....	0.471
Total Factor .....	Qts .....	0.445
Dc Resistance .....	Re .....	3.2 ohms

### Measurements:

Overall Diameter .....	168 mm (6.61")
Front Mount Baffle Cutout .....	145 mm (5.70")
Mounting Depth .....	62 mm (2.44")
Overall Depth .....	69 mm (2.72")

# # WeLikeItLoud

