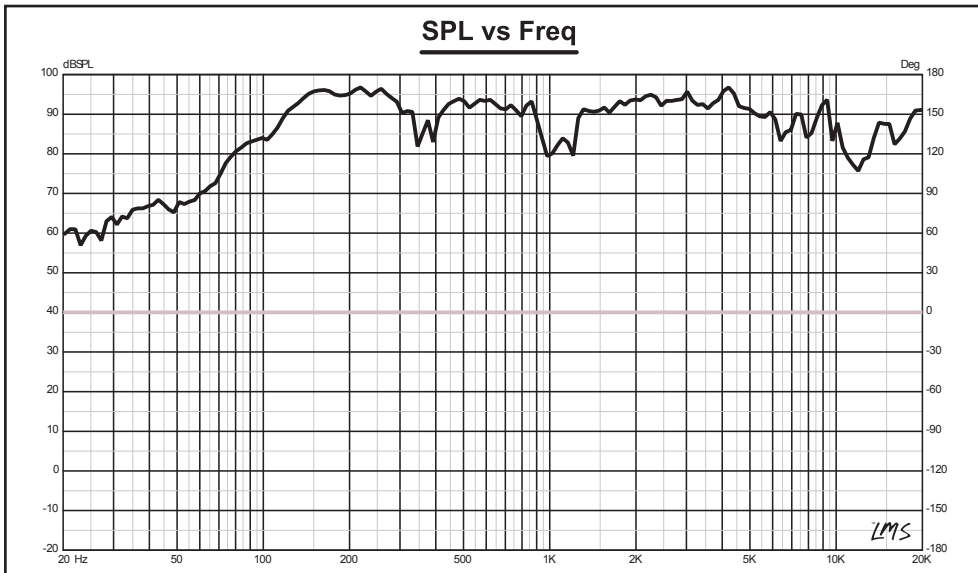




PRO-X6.4BMSL-

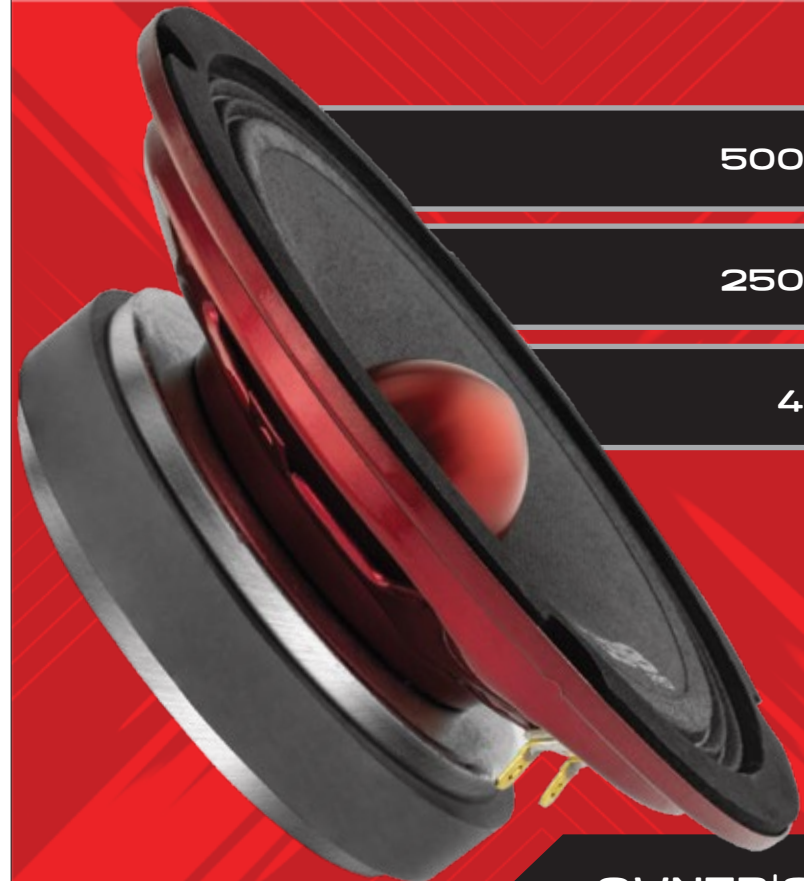
**6.5" MIDRANGE SLIM SPEAKER WITH BULLET**

- RMS Power Handling: 250 Watts
- MAX Power Handling: 500 Watts
- Frequency Response: 125Hz-8KHz
- Voice Coil Diameter: 1.5" (38.1 mm)
- Voice Coil Material: Kapton
- Nominal Impedance: 4 ohms
- Sensitivity (1W/1M): 94dB
- Magnet Weight: 21 oz
- Magnet Material: Ferrite
- Mounting Depth: 54.5 mm / 2.15"



PRO-X6.4BMSL

**6.5" MIDRANGE SLIM SPEAKER WITH BULLET**

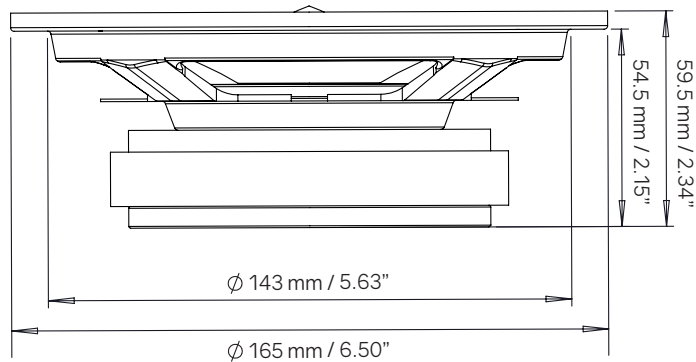
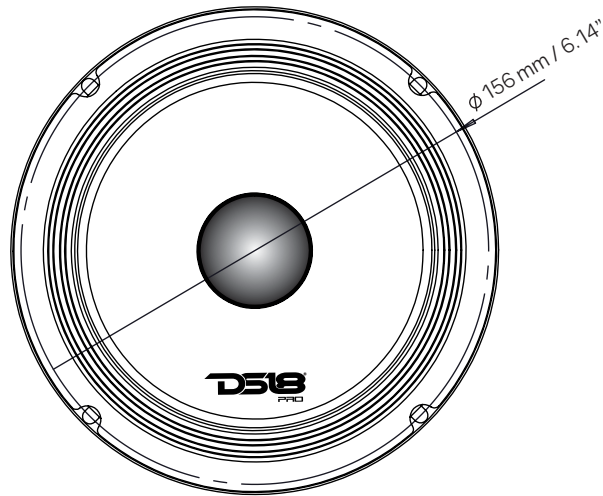


OWNER'S MANUAL



# PRO-X6.4-BMSL

## 6.5" MIDRANGE SLIM SPEAKER WITH BULLET



DS18.COM



## Data Sheet

PRO-X6.4-BMSL 6.5" SLIM MIDRANGE SPEAKER WITH BULLET

### Specifications:

Nominal Diameter.....	6.5" (165.1 mm)
Nominal Impedance.....	4 ohms
RMS Power Handling.....	250 WATTS
Maximum Power Handling.....	500 WATTS
Sensitivity (1w/1m).....	94dB
Frequency Response.....	125Hz-8KHz
Recommended Hi Pass Crossover.....	180 Hz

### Midrange:

Voice Coil Diameter.....	1.5" (38.1 mm)
Voice Coil Former Material.....	Kapton
Winding Material.....	CCAW
Basket Material.....	Steel
Magnet Weight.....	21 oz

### Thiele & Small Parameters:

Equivalent Volume.....	Vas.....	2.956 LTR
Excursion.....	Xmax.....	6.4 mm
Free Air Resonance.....	Fs.....	159 Hz
Mechanical Factor.....	Qms.....	7.332
Electrical Factor.....	Qes.....	0.817
Total Factor.....	Qts.....	0.735
Dc Resistance.....	Re.....	3.2 ohms

### Measurements:

Overall Diameter.....	165 mm (6.50")
Front Mount Baffle Cutout.....	143 mm (5.63")
Mounting Depth.....	54.5 mm (2.15")
Overall Depth.....	59.5 mm (2.35")

# WeLikeItLoud

