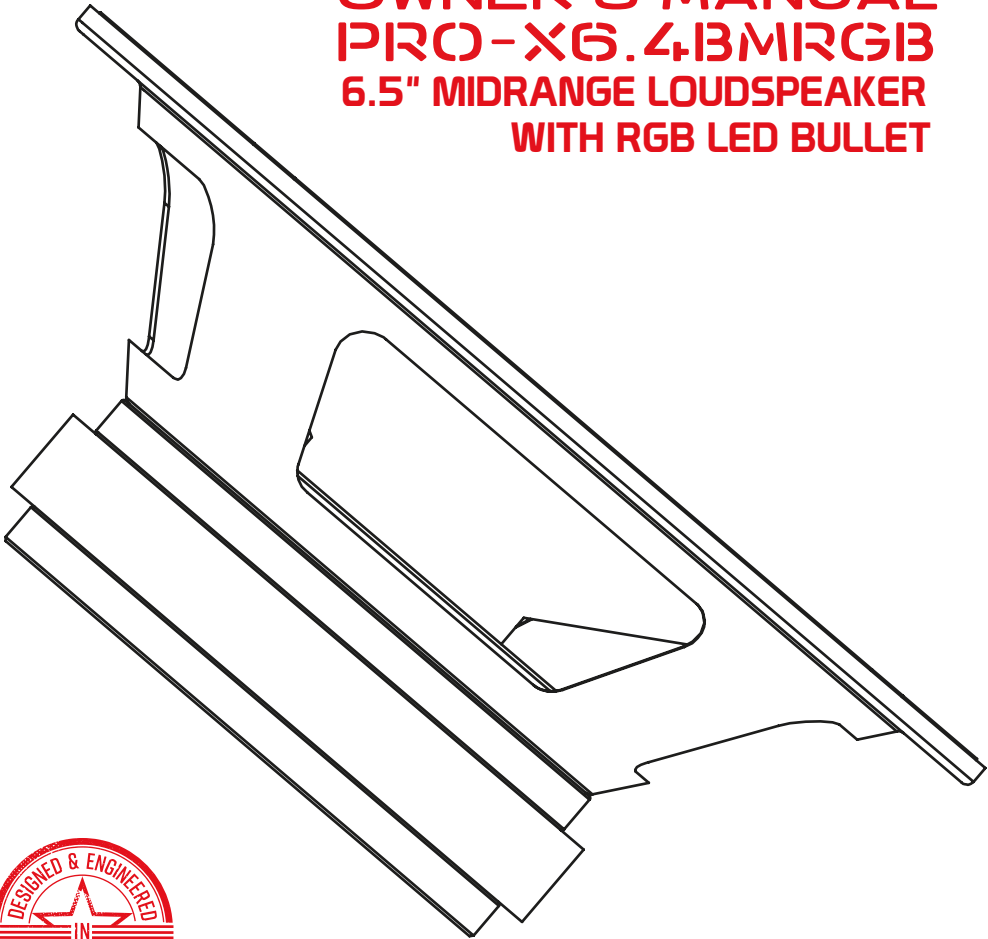


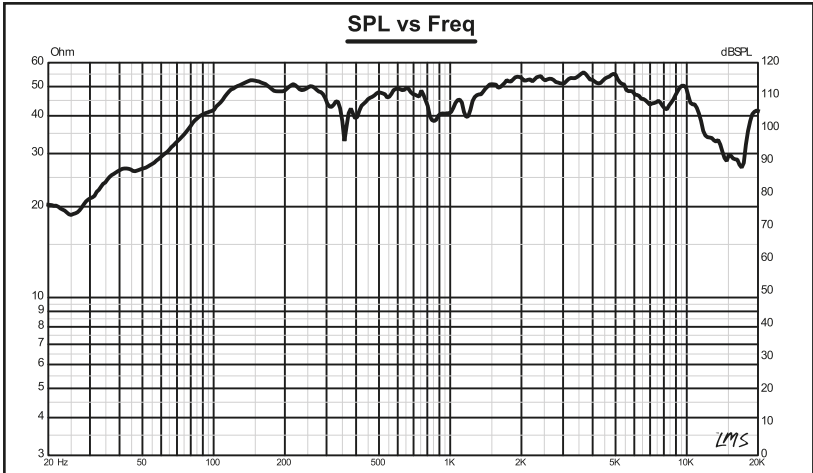
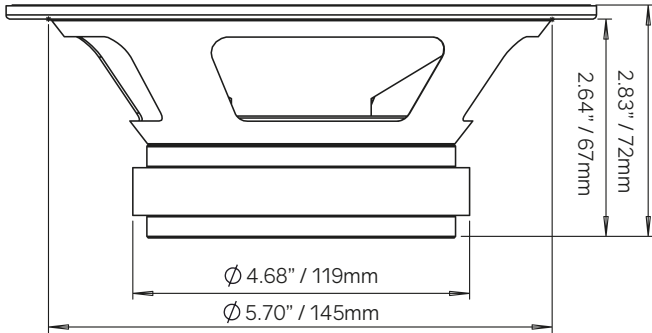
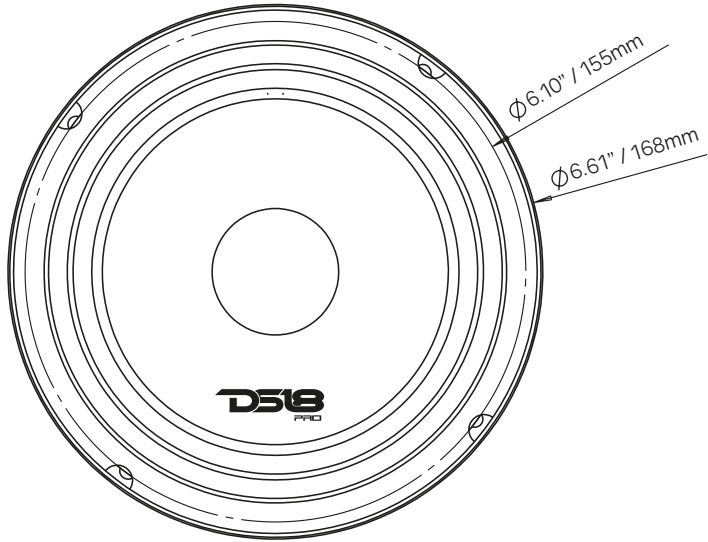


DS18[®]
PRO

OWNER'S MANUAL
PRO-X6.4.3MRGB
6.5" MIDRANGE LOUDSPEAKER
WITH RGB LED BULLET



PRO-X6.4BMRGB



Specifications

Nominal Diameter	6.5"
Nominal Impedance	4 ohm
RMS Power Handling	250w
MAX Power Handling.....	500w
Sensitivity (1w/1m)	94dB
Frequency Response.....	125Hz-12KHz
Recommended HI Pass Crossover.....	135 Hz

Motor

Voice Coil Diameter.....	38.6mm / 1.5"
Voice Coil Former Material	Kapton
Winding Material	CCAW
Cone Material.....	Paper
Bullet Material.....	Translucid ABS with RGB LED
Surround Material.....	Cloth
Basket Material	Steel
Magnet Material.....	Ferrite
Magnet Weight.....	30 Oz
Displacement Volume.....	0.032L

Thiele & Small Parameters

Equivalent Volume	Vas.....	2.349L
Excursion (one way)	Xmax.....	8.2mm
Free Air Resonance	Fs	135Hz
Mechanical Factor	Qms	7.707
Electrical Factor	Qes.....	0.789
Total Factor	Qts.....	0.716
Mechanical Mass	Mms.....	10.718g
Mechanical Compliance	Cms.....	0.094 m/N
BL Factor	BL.....	6.689
Voice Coil Inductance	Le.....	4.22mH
Cone Area	Sd.....	132.73 mm ²
CD Resistance	Re.....	3.2 ohms

Measurements

Overall Diameter.....	6.61" / 168mm
Overall Depth.....	2.83" / 72mm
Front Mount Baffle Cutout.....	5.70" / 145mm
Mouting Depth.....	2.64" / 67mm
Motor Diameter.....	4.68" / 119mm

PRO-X6.4BMRGB

#WELIKEITLOUD





FOR MORE INFORMATION
PLEASE VISIT
DS18.COM

WE LIKE IT LOUD



DS18[®]

The DS18 logo is rendered in a bold, red, stylized font. To the left of the logo is a thick red horizontal line that curves upwards and then downwards, resembling a stylized swoosh or a wing.