



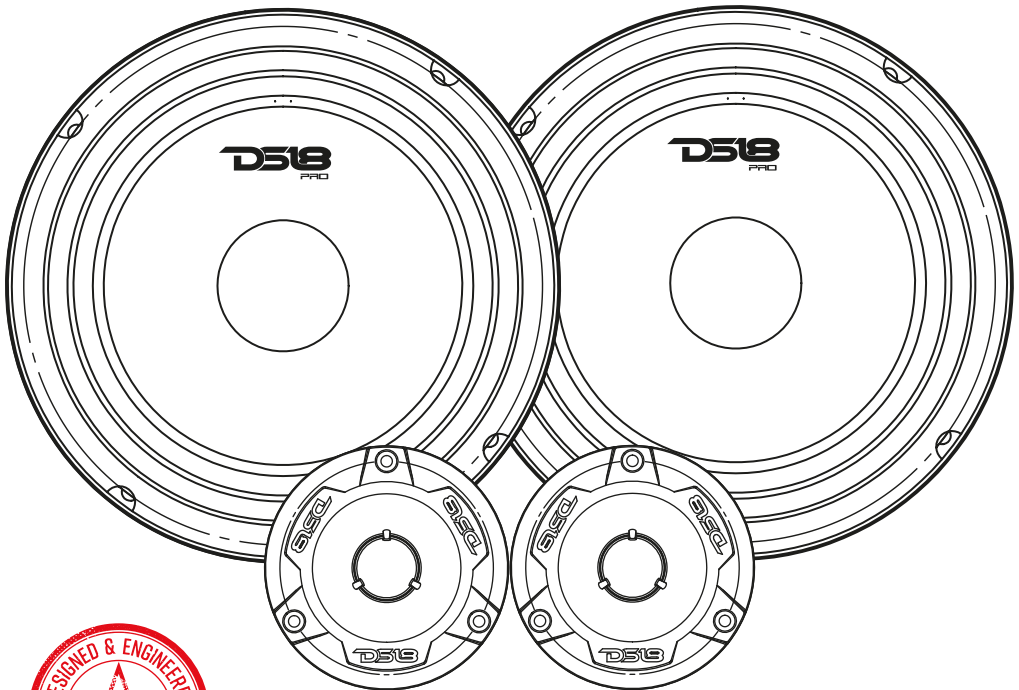
# D518<sup>®</sup>

## OWNER'S MANUAL PRO-X6.4BMPK2

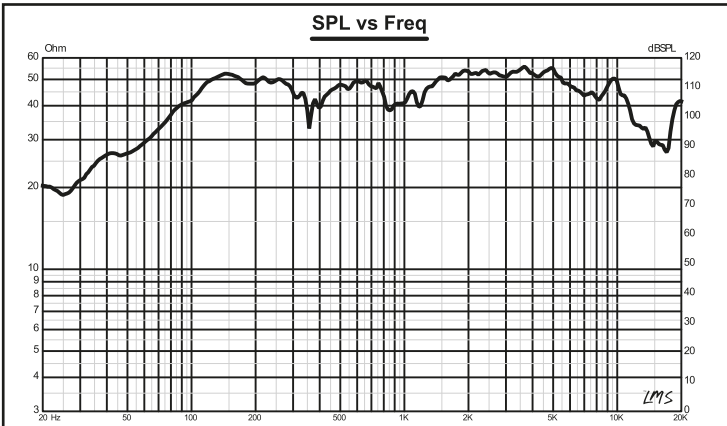
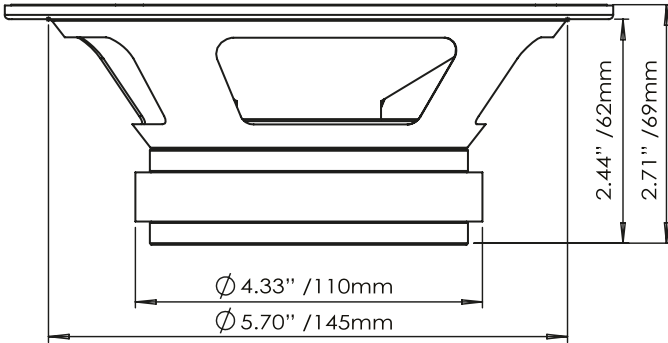
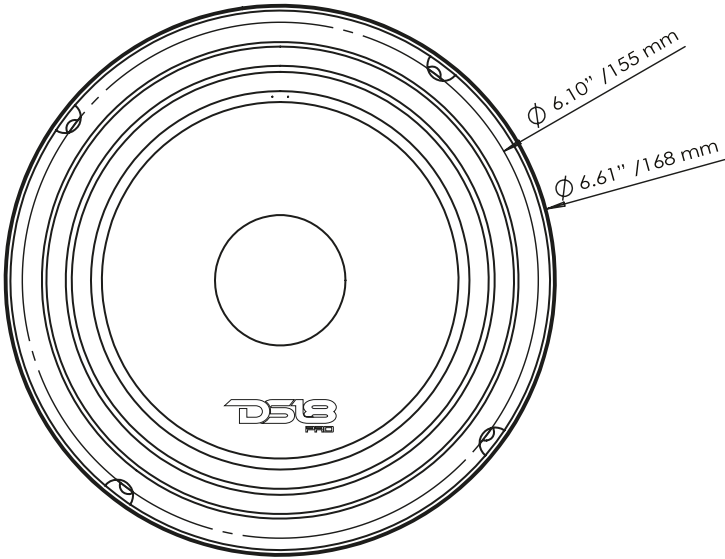
MID AND HIGH COMPLETE PACKAGE

PAIR **PRO-X6.4BM**

PAIR **PRO-TWX1/BK**



# PRO-X6.4BM





## Specifications:

Nominal Diameter .....	6.5" / 165.1 mm
Nominal Impedance .....	4 ohms
RMS Power Handling .....	250 WATTS
Maximum Power Handling .....	500 WATTS
Sensitivity (1w/1m) .....	94dB
Frequency Response .....	106Hz-17KHz
Recommended Hi Pass Crossover .....	120 Hz

## Midrange:

Voice Coil Diameter .....	1.5" / 38.6 mm
Voice Coil Former Material .....	Kapton
Winding Material .....	CCAW
Basket Material .....	Steel
Magnet Weight .....	30 oz
Magnet Material: .....	FERRITE

## Thiele & Small Parameters:

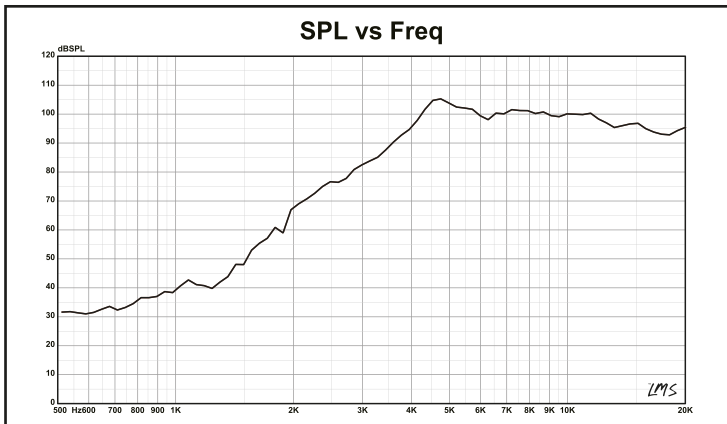
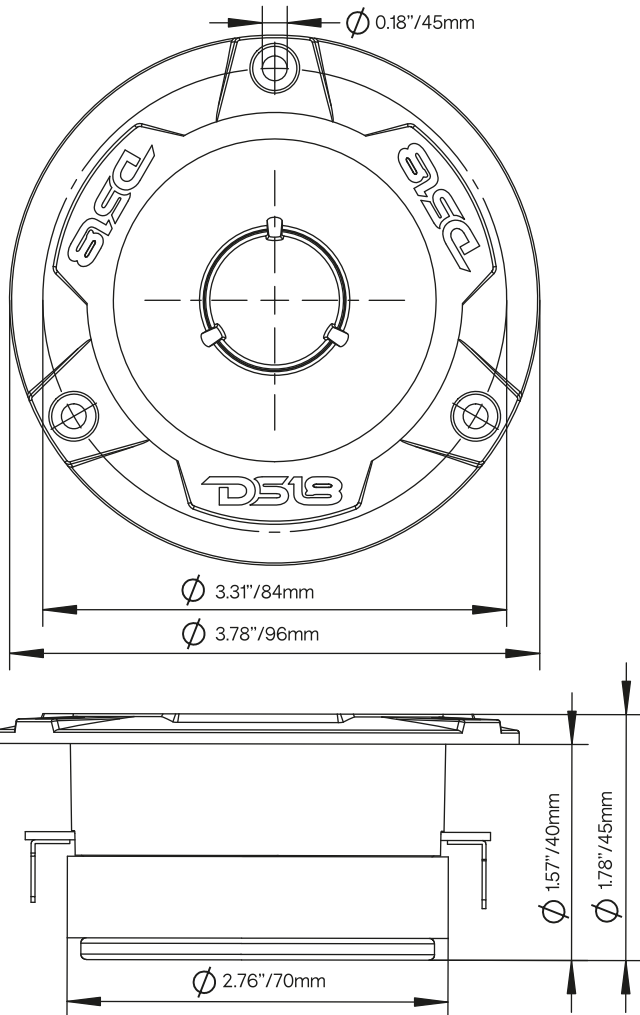
Equivalent Volume	Vas .....	3.810 LTR
Excursion	Xmax .....	8.2 mm
Free Air Resonance	Fs .....	106 Hz
Mechanical Factor	Qms .....	8.027
Electrical Factor	Qes .....	0.471
Total Factor	Qts .....	0.445
Dc Resistnace	Re .....	3.2 ohms

## Measurements:

Overall Diameter .....	6.61" / 168 mm
Front Mount Baffle Cutout .....	5.70" / 145 mm
Mounting Depth .....	2.44" / 62 mm
Overall Depth .....	2.71" / 69 mm

PRO-X6.4BM

# PRO-TWX1/BK





## SPECIFICATIONS:

Nominal Diameter .....	1"
Nominal Impedance .....	4 ohms
AES Power Handling .....	60 Watts
Program Power Handling .....	120 Watts
Peak Power Handling .....	240 Watts
Sensitivity (1W/1W) .....	103 dB
Frequency Response .....	3.5K-20Khz
Recommended HI Pass Crossover.....	2 KHz

## MOTOR:

Voice Coil Diameter .....	1"
Voice Coil Former Material .....	Kapton
Winding Material.....	KCCAW
Diaphragm Material .....	Aluminum
Magnet Material.....	Ferrite
Body Material .....	Aluminum

## MEASUREMENTS

Overall Diameter .....	3.78" / 96mm
Overall Depth .....	1.78" / 45mm
Front Mount Baffle Cutout .....	2.76" / 70mm
Mounting Depth .....	1.57" / 40mm



FOR MORE INFORMATION  
PLEASE VISIT  
[DS18.COM](http://DS18.COM)

*WE LIKE IT LOUD*

The DS18 logo is rendered in a bold, red, sans-serif font. The "D" and "S" are connected, and the "18" is slightly offset to the right. A registered trademark symbol (®) is located at the top right of the "8".

**DS18<sup>®</sup>**