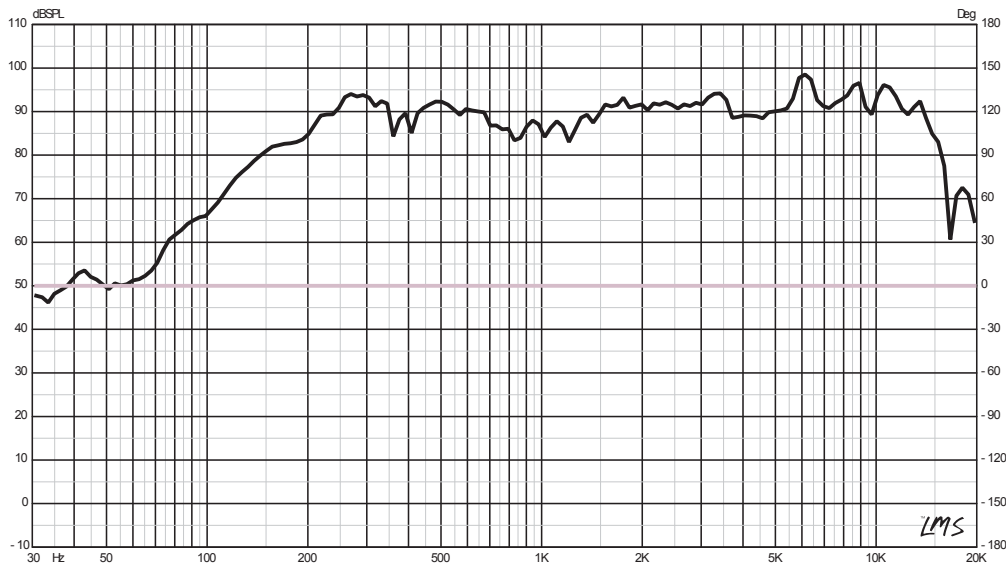


## PRO-X4.48M

- 4" MIDRANGE LOUDSPEAKER
- RED COLOR STEEL BASKET
- 10 OZ HIGH STRENGTH FERRITE MAGNET
- 1.0" HIGH TEMPERATURE KCCA W VOICE COIL
- CLOTH EDGE AND NON-PRESSED PAPER CONE
- RED ALUMINUM BULLET
- 100 WATTS RMS POWER
- 200 WATTS MAX POWER
- IMPEDANCE 4 OHMS
- SENSITIVITY 89.6 DB
- FREQUENCY RESPONSE 260-11.5KHZ

SPL vs Freq



WE LIKE IT LOUD  
[www.ds18.com](http://www.ds18.com)



## OWNER'S MANUAL

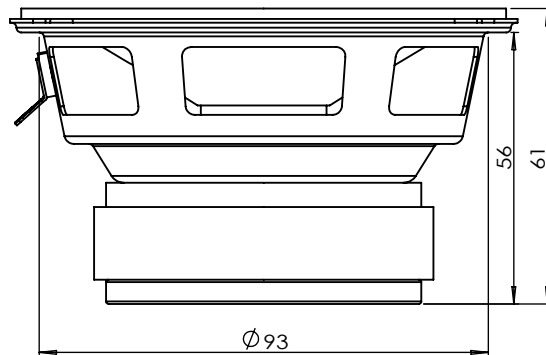
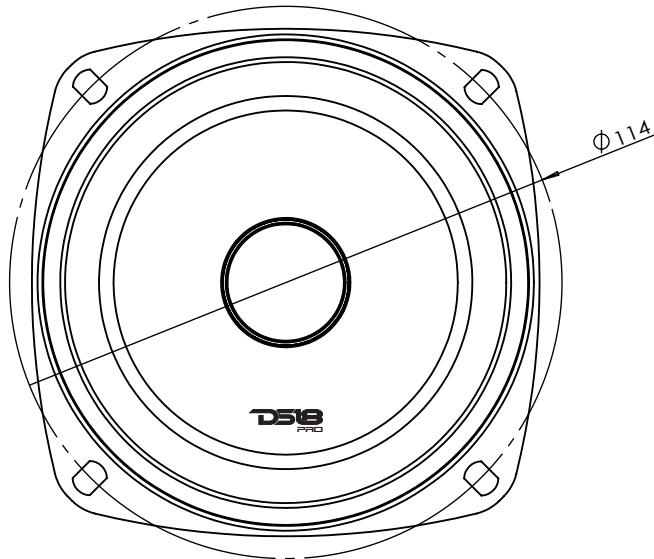
**PRO - X4.48M**  
4" MIDRANGE LOUDSPEAKER

**WE LIKE IT LOUD**  
[www.ds18.com](http://www.ds18.com)



# PRO - X4.42M

4" MIDRANGE LOUDSPEAKER



#WELIKEITLOUD

# PRO- X4.42M

4" MIDRANGE LOUDSPEAKER

Overall Diameter	114mm(4.48inch)
Baffle Cutout Diameter	93mm(3.66inch)
Depth	56mm(2.2inch)
Nominal Impedance	4.0 $\Omega$
Minimum Impedance	3.2 $\Omega$
Rms Power Handling	100W
Maximum Power Handling	200W
Sensitivity (1w/1m)	89.6 dB
Frequency Responde	260 Hz-11.5 KHz
Diaphragm Material	Aluminum
Voice Coil Diameter	25.9mm(1.0inch)
Winding Material	KCCAW
Magnet Weight	Ferrite 10 oz

## THIELE & SMALL PARAMETERS

Fs	335 Hz
Re	3.2 $\Omega$
Qes	3.027
Qms	10.893
Qts	2.369
Vas	0.301 Ltr
X-MAX	6.3mm(0.25inch)

