



## PRO-X10MBASS

Black Color Steel Basket

60 Oz High Strength Ferrite Magnet

400 Watts RMS Power

800 Watts MAX Power

Impedance: 8 Ohms

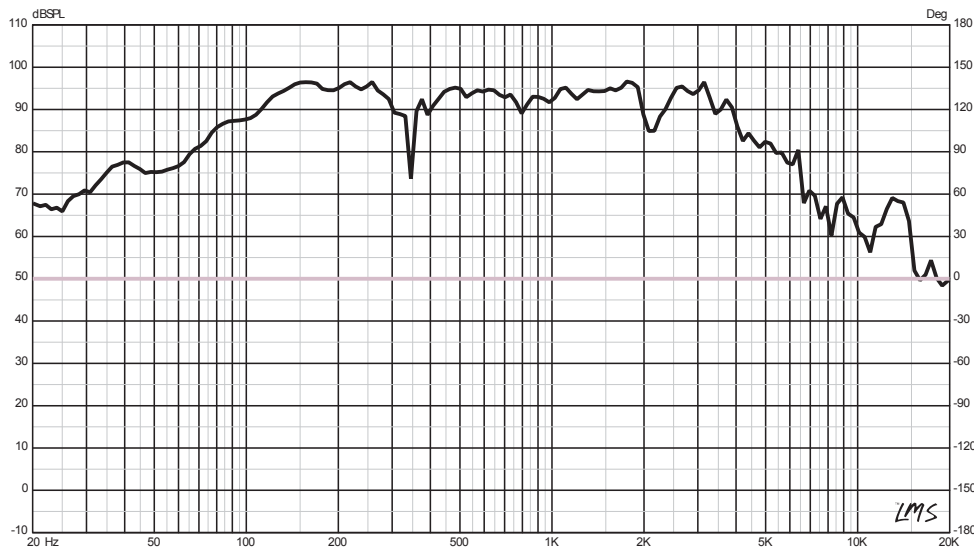
Sensitivity: 96.3dB

Frequency Response: 80Hz - 6.3Khz

Cloth Edge and Non-Pressed Paper Cone

2.5" High Temperature KASV Voice Coil

SPL vs. FREQ



WE LIKE IT LOUD



## PRO-X10MBASS

10" **MIDBASS** LOUDSPEAKER

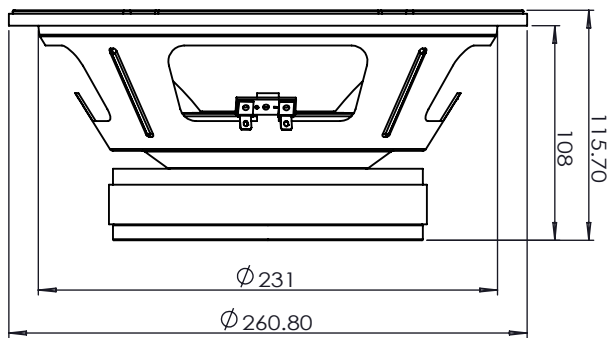
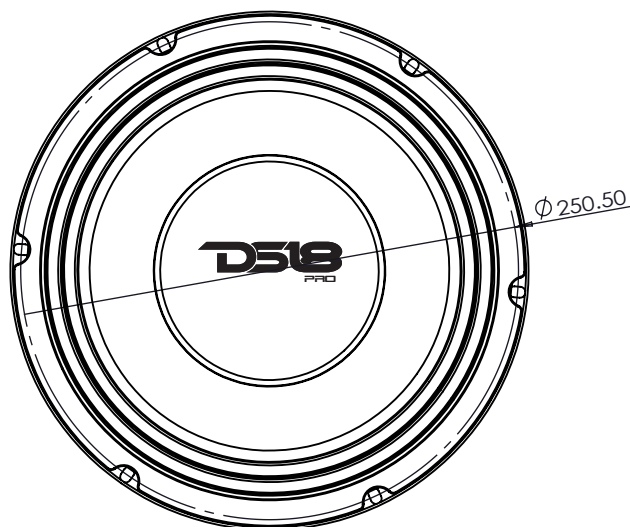
OWNER'S MANUAL



#WeLikeItLoud

# PRO-X10MBASS

## 10" MIDBASS LOUDSPEAKER



WE LIKE IT LOUD

### PRO-X10MBASS 10" MIDBASS LOUDSPEAKER

#### Specifications

Nominal Diameter	10"
Nominal Impedance	8 ohms
RMS Power Handling	400 Watts
Maximum Power Handling	800 Watts
Sensitivity (1w/1m)	96.3 dB
Frequency Response	80 Hz - 6.3K Hz
Recommended Hi Pass Crossover	80 Hz
Voice Coil Diameter	65.5mm (2.5")
Voice Coil Former Material	KAPTON
Winding Material	SV
Basket Material	Steel Basket
Frame Material	Steel Basket
Magnet Weight	Ferrite 60 oz

#### Thiele & Small Parameters

Equilivant Volume	Vas	17.3778 L
Excursion	Xmax	10.5 mm
Free Air Resonance	Fs	75.6 Hz
Mechanical Factor	Qms	2.827
Electrical Factor	Qes	0.425
Total Factor	Qts	0.369
Cone Area	Sd	363.05 cm <sup>2</sup>
Mechanical Mass	Mms	47.545 g
Bl Factor	Bl	16.770 N/A
Dc Resistance	Re	5.2 ohms
Inductance	Le	9.08 mH
Mechanical Mass Without Air	Mmd	39.728 g
Mechanical Compliance	Cms	0.093 mm/N

#### Measurements

Overall Diameter	261mm (10.27")
Front Mount Baffle Cutout	231mm (9.09")
Mounting Depth	108mm (4.25")
Overall Depth	115.7mm (4.55")
Net Weight	4.8 KG

#### Shipping Info

Gross Single Unit Weight	9.6 KG
Single Unit Box Dimensions W x L x H	275 x275 x127 mm
Quantity of Units in Master Carton	2 PCS
Gross Master Carton Weight	11 KG
Master Carton Dimensions W x L x H	290 x290x280 mm