

DS18[®]

PRO

PRO-X10BM

10" MIDRANGE LOUDSPEAKER
WITH BULLET



600W MAX

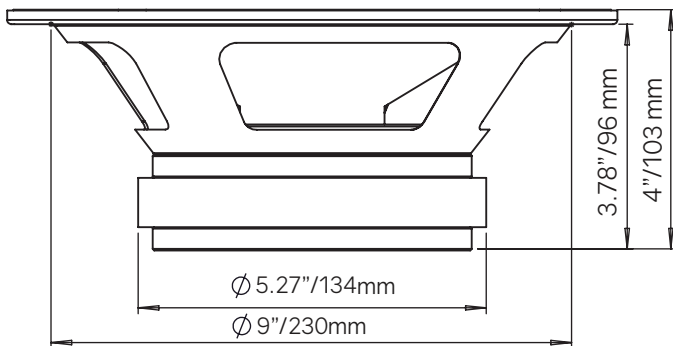
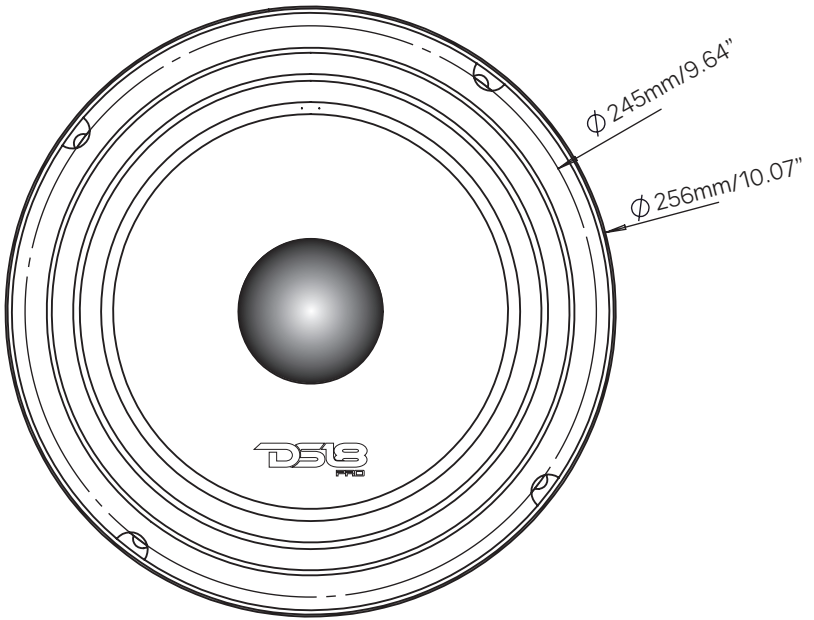
300W RMS

8 OHMS

USER'S MANUAL



PRO-X1013M



Data Sheet

Specifications:

Nominal Diameter	10" / 254mm
Nominal Impedance	8 ohms
MAX Power Handling	600 Watts
RMS Power Handling	300 Watts
Sensitivity (1w/1m)	97 dB
Frequency Response	80Hz-5KHz
Recommended Hi Pass Crossover	100 Hz

Midrange:

Voice Coil Diameter	2" / 50.8 mm
Voice Coil Former Material	Kapton
Winding Material	CCAW
Basket Material	Steel
Magnet Weight	40 oz

Thiele & Small Parameters:

Equivalent Volume	Vas	28.8L / 1.017ft ³
Excursion	Xmax	9.8 mm
Free Air Resonance	Fs	93 Hz
Mechanical Factor	Qms	8,379
Electrical Factor	Qes	0.86
Total Factor	Qts	0.78
Dc Resistance	Re	4.8 ohms

Measurements:

Overall Diameter	10" / 256 mm
Front Mount Baffle Cutout	9" / 230 mm
Mounting Depth	3.78" / 96 mm
Overall Depth	4" / 103 mm

WeLikeItLoud





PRO-X1013M

**10" MIDRANGE
LOUDSPEAKER WITH BULLET**

MAX Power Handling: 600 Watts

RMS Power Handling: 300 Watts

Frequency Response: 80Hz-5KHz

Voice Coil Material: Kapton

Voice Coil Diameter: 2" / 50.8 mm

Nominal Impedance: 8 ohms

Mounting Depth: 3.78" / 96 mm

Sensitivity (1W/1M): 97 dB

Magnet Material: Ferrite

Magnet Weight: 40oz

SPL vs Freq

