

DS18[®]

PRO

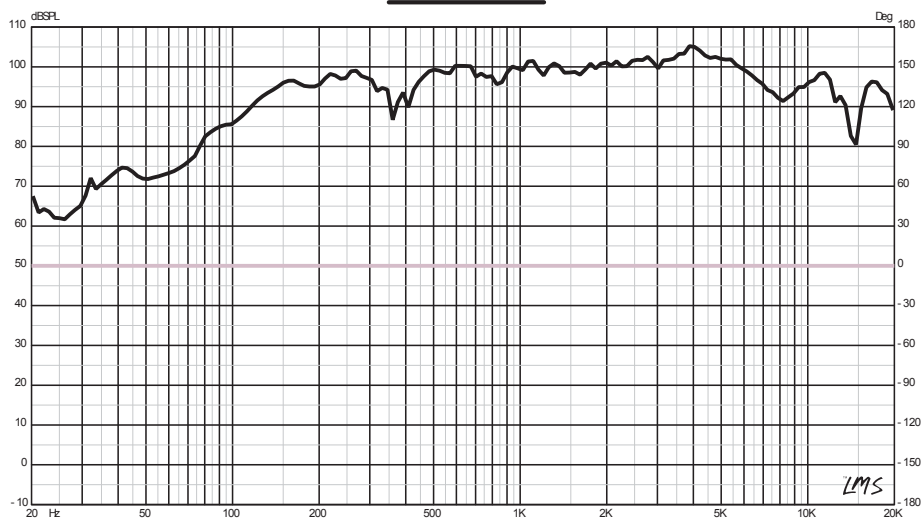
PRO-NEOG6

MIDRANGE LOUDSPEAKER WITH BULLET

6.5"

- Heavy Duty Aluminum Basket
- Nominal Impedance: 4 ohm
- MAX Power Handling: 500 Watts
- RMS Power Handling: 250 Watts
- Sensitivity (1W/1M): 96dB
- Frequency Response: 160Hz-12.5KHz
- Voice Coil Diameter: 1.5"/ 38.1 mm
- Cone Material: Paper
- Magnet Weight: 7.6 oz
- Magnet Material: Neodymium
- Mounting Depth: 2.79"/ 71mm

SPL vs Freq



DS18[®]

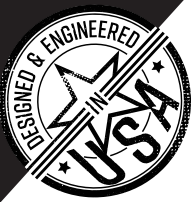
PRO

PRO-NEOG6

6.5" MIDRANGE LOUDSPEAKER WITH BULLET

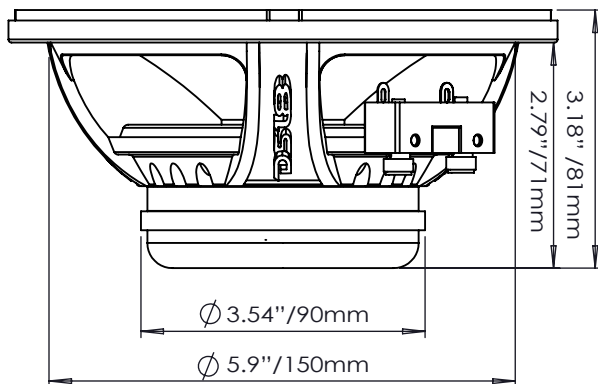
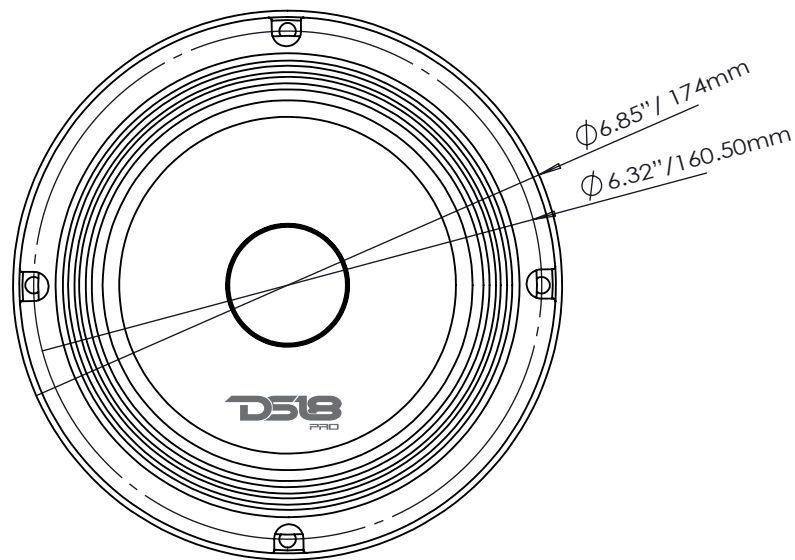


OWNER'S MANUAL



PRO-NEO6

6.5" NEODYMIUM MIDRANGE
LOUDSPEAKER WITH BULLET



WWW.DS18.COM



Data Sheet

PRO-NEO6 6.5" MIDRANGE LOUDSPEAKER WITH BULLET

Specifications:

Nominal Diameter	6.5"
Nominal Impedance	4 ohms
MAX Power Handling	500 Watts
RMS Power Handling	250 Watts
Sensitivity (1w/1m).....	96dB
Frequency Response	160Hz-12.5KHz
Recommended Hi Pass Crossover.....	200 Hz

Midrange:

Voice Coil Diameter	1.5" / 38.1mm
Voice Coil Former Material	Glass Fiber
Winding Material	CCAW
Cone Material	Paper
Surround Material	Cloth
Basket Material	Aluminum
Magnet Material	Neodymium
Magnet Weight	7.6 oz
Displacement.....	0.043 L

Thiele & Small Parameters:

Equivalent Volume	Vas	1.566 L
Excursion	Xmax	8.5 mm
Free Air Resonance	Fs	2019 Hz
Mechanical Factor	Qms	5.429
Electrical Factor	Qes	0.562
Total Factor	Qts	0.509
Dc Resistance	Re	3.543 ohms

Measurements:

Overall Diameter	6.85" / 174 mm
Overall Depth	3.18" / 81 mm
Front Mount Baffle Cutout	5.9" / 150 mm
Mounting Depth	2.79" / 71 mm
Motor Diameter	3.54" / 90 mm

WeLikeItLoud

