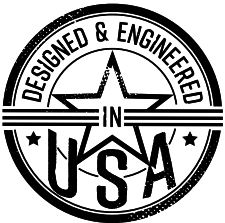
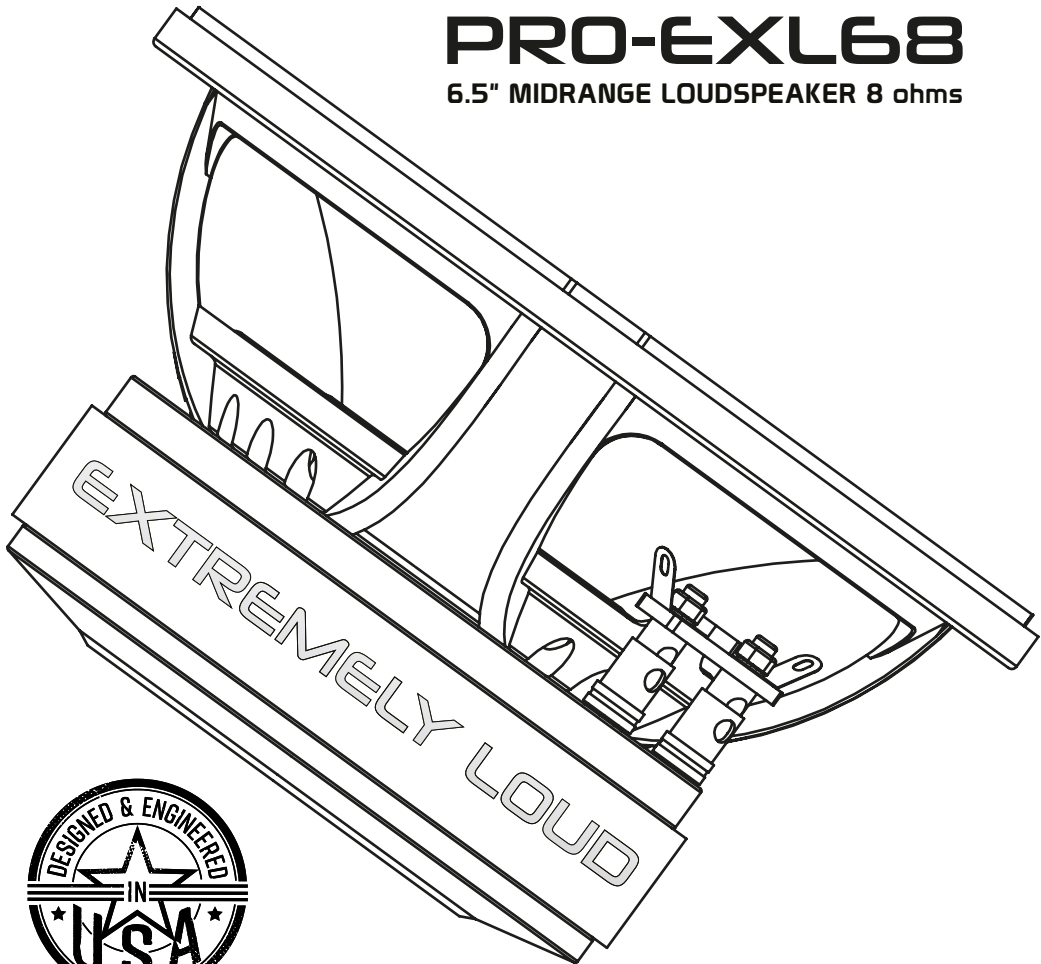


The logo for DS18, featuring the letters 'DS18' in a bold, stylized font. The 'D' and 'S' are connected, and the '18' is separate. A registered trademark symbol (®) is located to the upper right of the '8'.

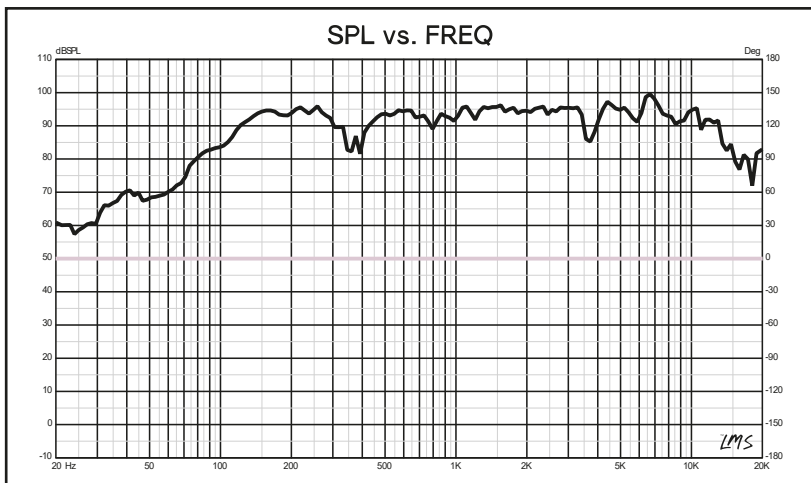
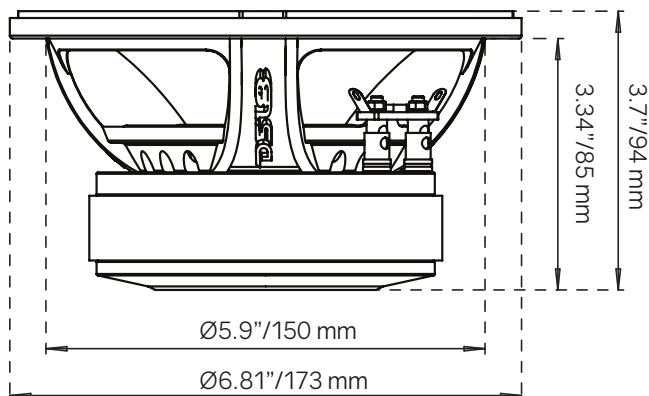
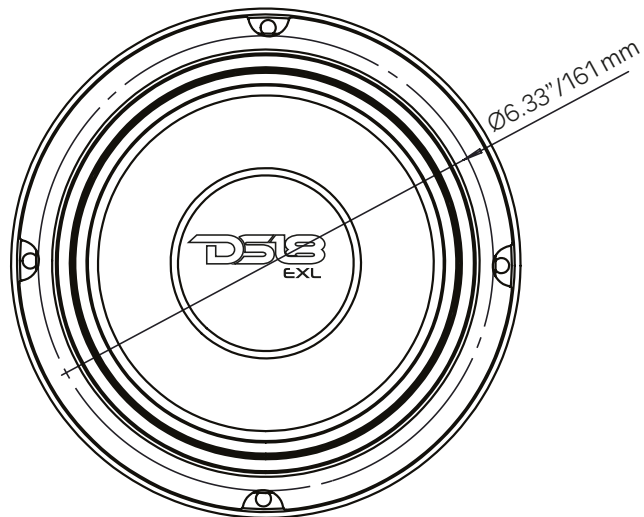
DS18[®]

OWNER'S MANUAL PRO-EXL68

6.5" MIDRANGE LOUDSPEAKER 8 ohms



PRO-EXL68



Specifications:

Nominal Diameter	6.5"
Nominal Impedance	8 ohms
MAX Power Handling	600W
RMS Power Handling	300W
Sensitivity (1w/1m)	92dB
Frequency Response	100-12.5 KHz
Recommended HI Pass Crossover	180 Hz

Motor:

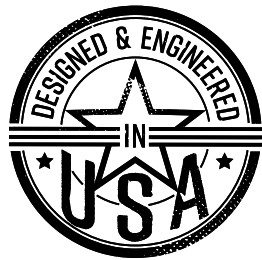
Voice Coil Diameter	2"/50.8 mm
Voice Coil Former Material	Glass Fiber
Winding Material	CCAW
Cone Material	Paper
Surround Material	Cloth
Basket Material	Aluminum
Magnet Material	Ferrite
Magnet Weight	32oz
Displacement Volume	0.047L

Thiele & Small Parameters:

Equivalent Volume	Vas	1.0125L
Excursion	X-max	9.2 mm
Free Air Resonance	Fs	193 Hz
Mechanical Factor	Qms	1.408
Electrical Factor	Qes	0.828
Total Factor	Qts	0.521
Dc Resistance	Re	5.2 ohms

Measurements

Overall Diameter	6.81"/173 mm
Front Mount Baffle Cutout	5.9"/150 mm
Mounting Depth	3.34"/85 mm
Overall Depth	3.7"/94 mm
Motor Diameter	4.72"/120mm



FOR MORE INFORMATION
PLEASE VISIT
DS18.COM

WE LIKE IT LOUD



DS18[®]