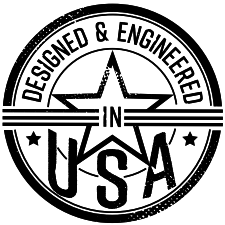
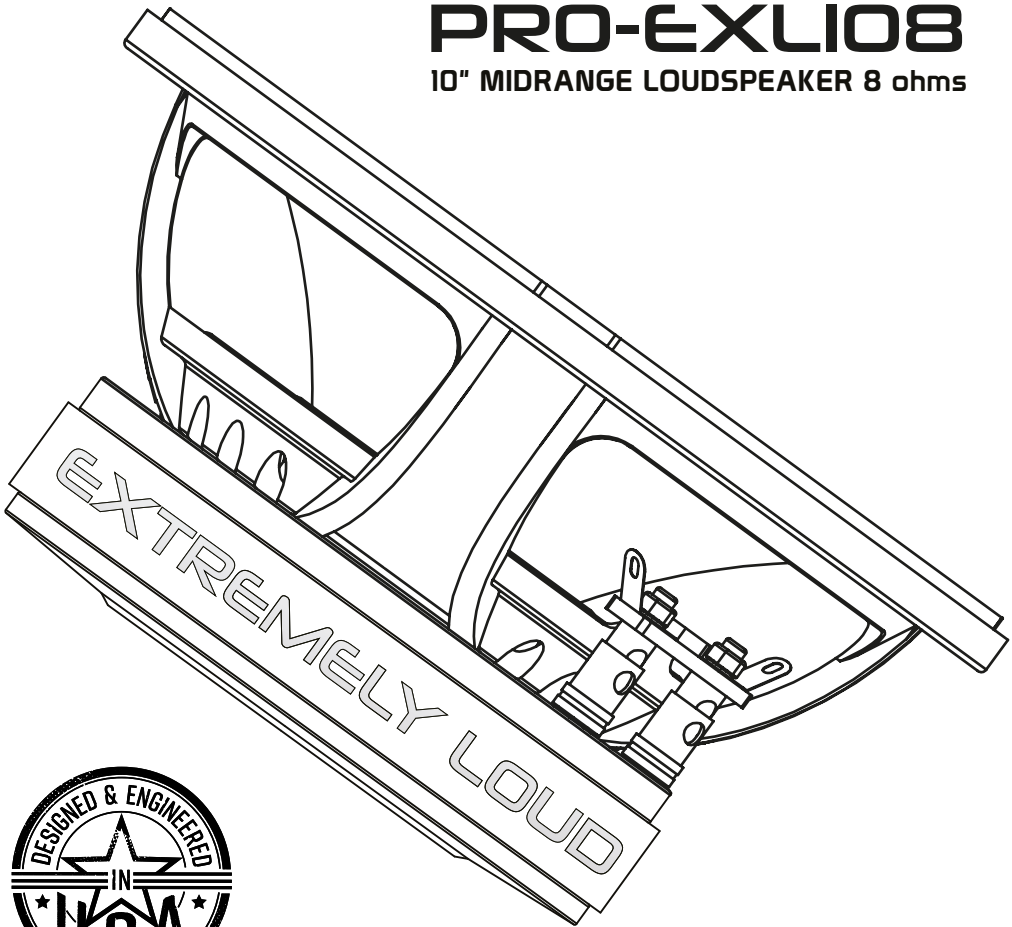


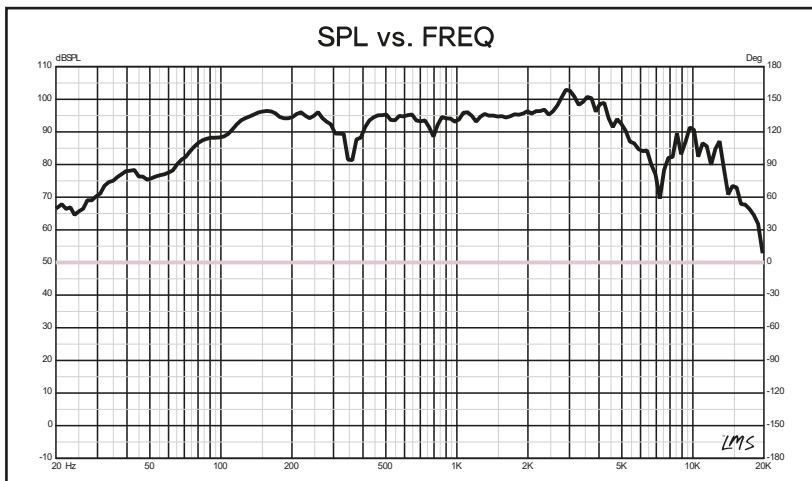
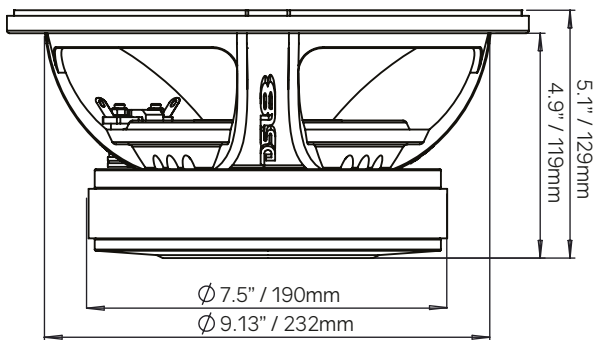
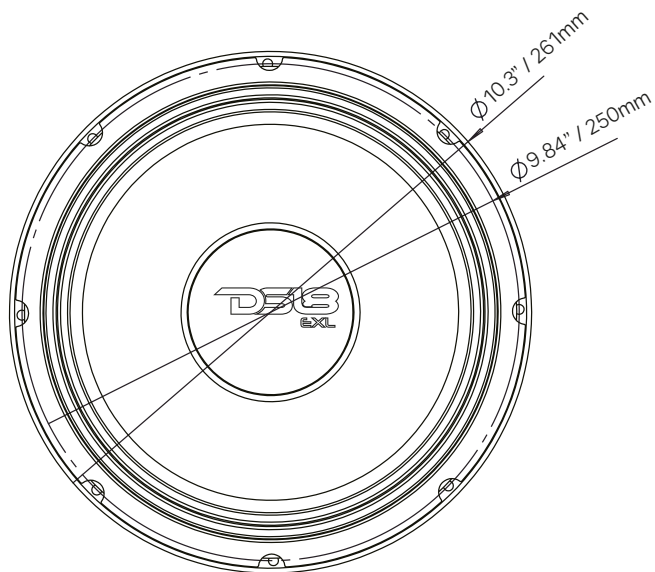


DS18[®]

OWNER'S MANUAL
PRO-EXL108
10" MIDRANGE LOUDSPEAKER 8 ohms



PRO-EXLI08



Specifications

Nominal Diameter	10 inch
Nominal Impedance	8 ohm
RMS Power Handling	600w
MAX Power Handling	1200w
Sensitivity (1w/1m)	97dB
Frequency Response.....	74Hz-11.5KHz
Recommended HI Pass Crossover.....	120 Hz

Motor

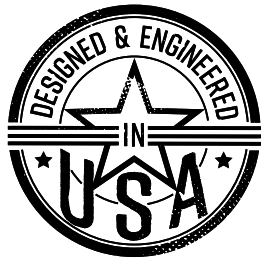
Voice Coil Diameter.....	76.5mm / 3"
Voice Coil Former Material	Kapton
Winding Material	CCAW
Cone Material.....	Non-pressed Paper
Dust Cap Material.....	Paper
Surround Material.....	Cloth
Basket Material	Aluminum
Magnet Material.....	Ferrite
Magnet Weight.....	80 Oz
Displacement Volume.....	0.085L

Thiele & Small Parameters

Equivalent Volume	Vas.....	4.8217L
Excursion (one way)	Xmax.....	12.5mm
Free Air Resonance	Fs	129.4Hz
Mechanical Factor	Qms	1.347
Electrical Factor	Qes.....	0.578
Total Factor	Qts.....	0.405
Mechanical Mass	Mms.....	48.371g
Mechanical Compliance	Cms.....	0.031 m/N
BL Factor	BL.....	18.841
Voice Coil Inductance	Le.....	0.098 mH
Cone Area	Sd.....	356.33 cm ²
CD Resistance	Re.....	5.2 ohms
Mechanical Mass w/o air	Mmd.....	46.75g

Measurements

Overall Diameter.....	10.3" / 261mm
Overall Depth.....	5.1" / 129mm
Front Mount Baffle Cutout.....	9.13" / 232mm
Mouting Depth.....	4.9" / 119mm
Motor Diameter.....	7.5" / 190mm



FOR MORE INFORMATION
PLEASE VISIT
DS18.COM

WE LIKE IT LOUD

The DS18 logo, featuring the letters "DS18" in a bold, stylized, italicized font. The "1" is a vertical bar between the "S" and "8". A registered trademark symbol (®) is located at the top right of the "8".

DS18[®]