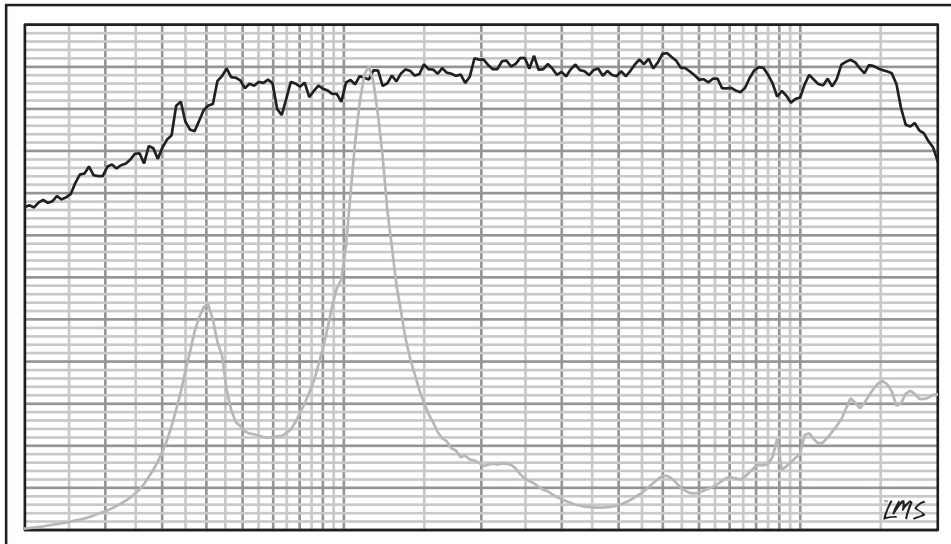




# PRO-IDR1.75

- Titanium Compression Driver
- Throat Diameter: 1"
- RMS Power Handling: 300 Watts
- MAX Power Handling: 600 Watts
- Frequency Response: 500Hz-20KHz
- Voice Coil Diameter: 1.75"
- Diaphragm Material: Titanium
- Nominal Impedance: 8 ohms
- Sensitivity (1W/1M): 107dB
- Magnet Weight: 24 oz
- Magnet Material: Ferrite
- Depth: 2.76"/ 70 mm
- Bolt Type: Screw Down

SPL vs Freq



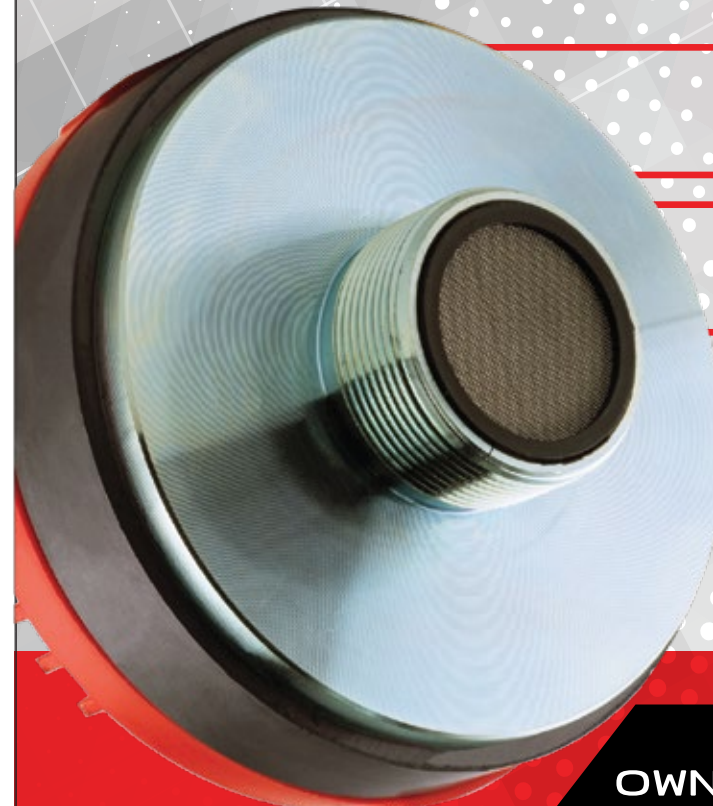
# PRO-IDR1.75

1.75" VC  
COMPRESSION  
DRIVER

600W MAX

300W RMS

8 OHMS

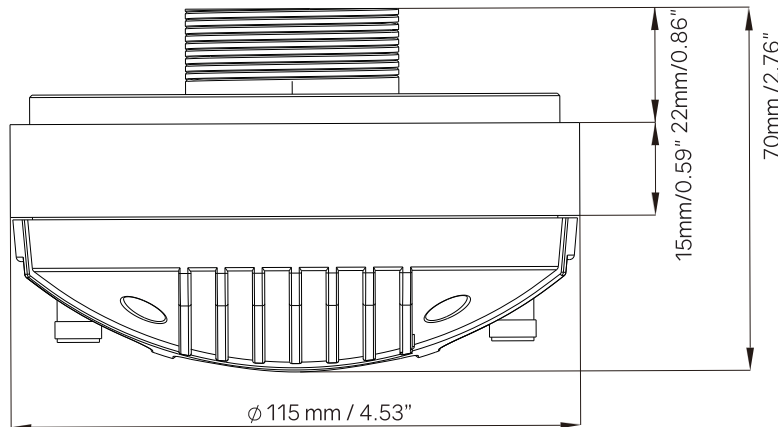
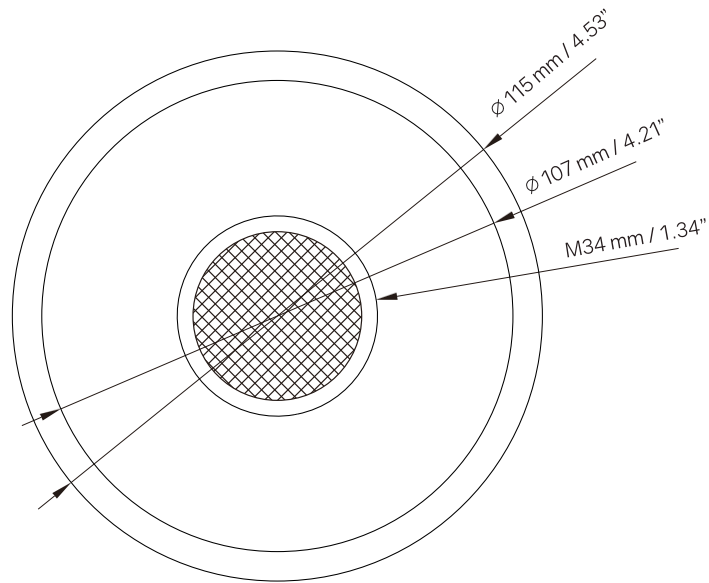


OWNER'S MANUAL

# PRO-DR1.75

TITANIUM COMPRESSION DRIVER

## Data Sheet



[WWW.DS18.COM](http://www.ds18.com)

PRO-DR1.75 1.75" VOICE COIL TITANIUM COMPRESSION DRIVER

### Specifications

Nominal Impedance .....	8 ohms
Throat Diameter .....	1"
RMS Power Handling .....	300 Watts
MAX Power Handling .....	600 Watts
Sensitivity (1w/1m) .....	107dB
Frequency Response .....	500Hz-20KHz
Recommended Hi Pass Crossover .....	800 Hz
Voice Coil Diameter .....	1.75"
Diaphragm Material .....	Titanium
Magnet Material .....	Ferrite
Magnet Weight .....	24oz
Bolt Type .....	Screw Down

### Measurements

Overall Diameter .....	4.53" (115 mm)
Overall Depth .....	2.76" (70 mm)

### Shipping Info

Gross Single Unit Weight .....	
Single Unit Box Dimensions W x L x H .....	
Quantity of Units in Master Carton .....	
Gross Master Carton Weight .....	
Master Carton Dimensions W x L x H .....	

# WeLikeItLoud

