

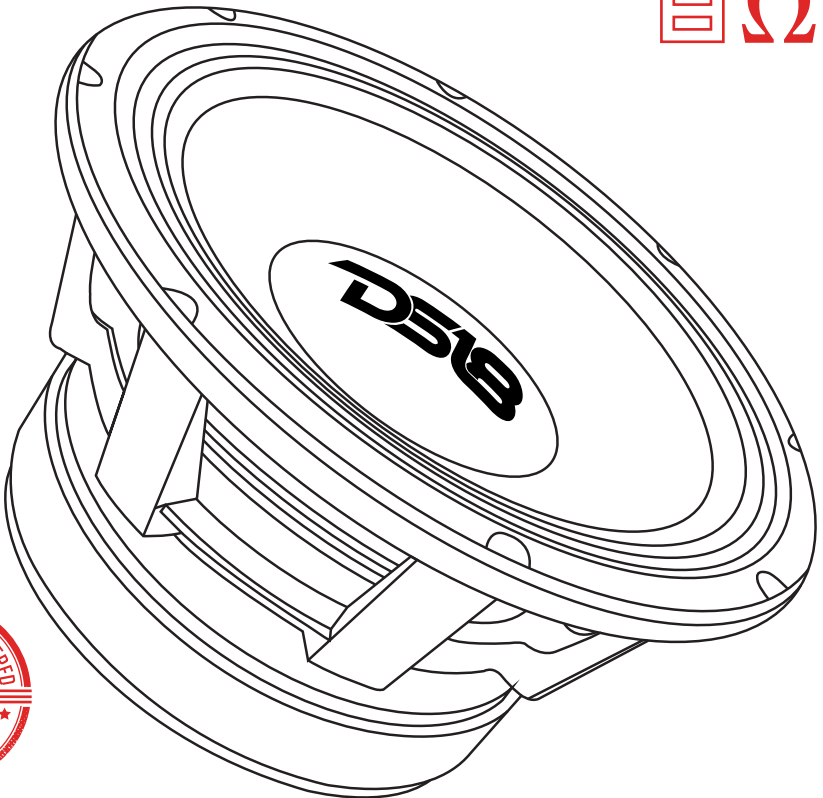


DS18[®]
PRO

OWNER'S MANUAL
MANUAL DEL USUARIO

PRO-3KP12.8
12" COMPETITION MID-BASS /
WOOFER LOUDSPEAKER

*ALTAVOZ TIPO WOOFER / MEDIO BAJO
DE COMPETICION DE 12"*



SPECIFICATIONS / ESPECIFICACIONES:

Nominal Diameter / Diámetro Nominal.....	12"
Nominal Impedance / Impedancia Nominal.....	8 OHMS
RMS Power Handling / Manejo de Potencia RMS.....	3000W
MAX Power Handling / Manejo de Potencia MAX.....	4500W
Sensitivity (1w/1m) / Sensibilidad (1w/1m).....	94.3 dB
Frequency Response / Respuesta de Frecuencia.....	60Hz-9KHz
Recommended Hi Pass Crossover / Crossover Paso alto Recomendado.....	70Hz
Pair or Single / Par o Unidad.....	Single / Unidad

MOTOR / MOTOR:

Voice Coil Diameter / Diámetro de la Bobina de Voz.....	4"
Voice Coil Former Material / Material Interior de Bobina Móvil.....	Fiber Glass / Fibra de Vidrio
Winding Material / Material de Bobinado.....	CCAW
Cone Material / Material del Cono.....	Paper / Papel
Dust Cap Material / Material de la Tapa anti-polvo.....	Paper / Papel
Surround Material / Material de la Suspension.....	Cloth / Tela
Basket Material / Material de la Canasta.....	Aluminum / Aluminio
Basket Color Finish / Color Acabado de Canasta.....	Black / Negro
Magnet Material / Material del Imán.....	Ferrite / Ferrita
Magnet Weight / Peso del Imán.....	250 Oz

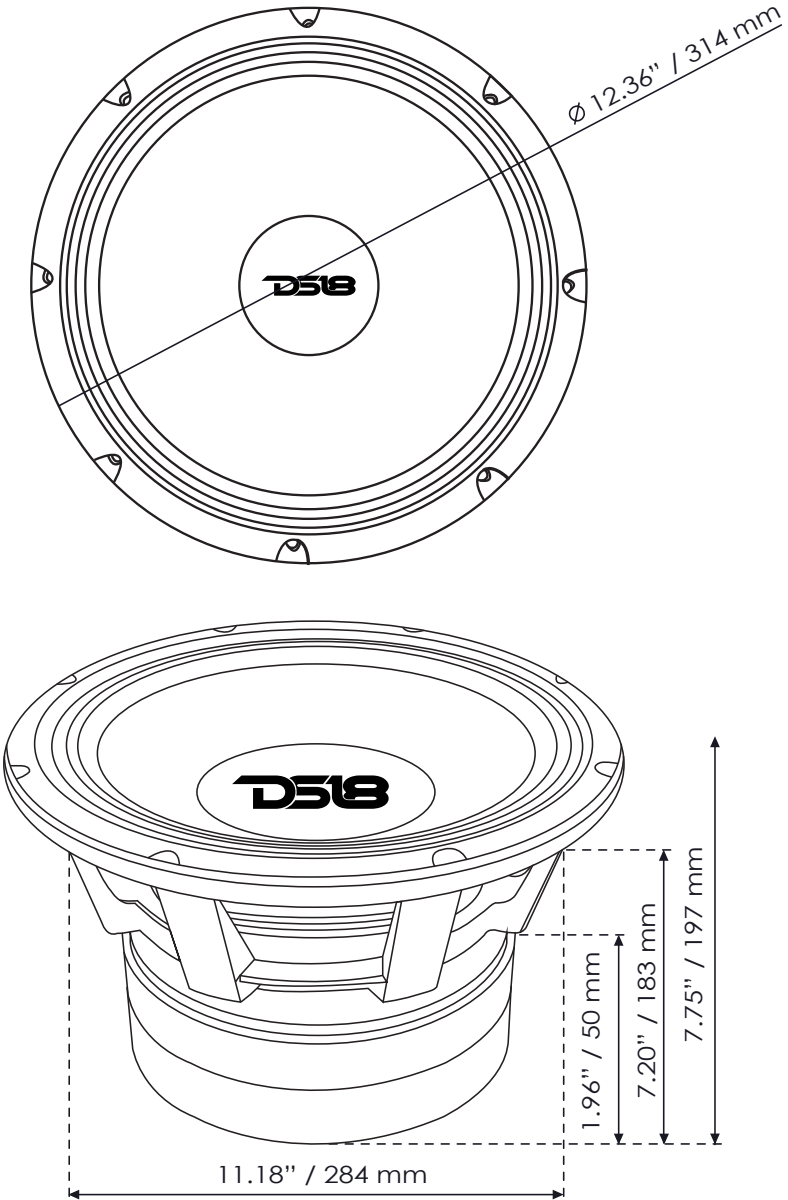
THIELE & SMALL PARAMETERS / PARÁMETROS T/S:

Equivalent Volume / Volumen Equivalente.....	Vas.....	25 L
Excursion (one way) / Excursion (una via).....	Xmax.....	7 mm
Free Air Resonance / Resonancia al Aire Libre.....	Fs.....	62 Hz
Mechanical Factor / Factor Mecánico.....	Qms.....	2.084
Electrical Factor / Factor Eléctrico.....	Qes.....	0.377
Total Factor / Factor Total.....	Qts.....	0.32
Mechanical Mass / Factor Mecánico.....	Mms.....	113.1g
Mechanical Compliance / Cumplimiento Mecánico.....	Cms.....	56.12 mm/N
BL Factor / Factor BL.....	BL.....	18.5
Voice Coil Inductance / Inductancia de Bobina de Voz.....	Le.....	621 mH
Cone Area / Area del cono.....	Sd.....	510.71 cm ²
DC Resistance / Resistencia DC.....	Re.....	5.6 ohm
Efficiency Bandwitch Product / Eficiencia del Ancho de Banda del Producto.....	Ebp.....	159

MEASUREMENTS / MEDIDAS:

Overall Diameter / Diámetro Total.....	12.36" / 314 mm
Overall Depth / Profundidad Total.....	7.75" / 197 mm
Front Mount Baffle Cutout / Corte del Orificio de Montaje.....	11.18" / 284 mm
Mounting Depth / Profundidad de Montaje.....	7.2" / 183 mm
Motor Diameter / Diámetro del Motor.....	8.66" / 220 mm

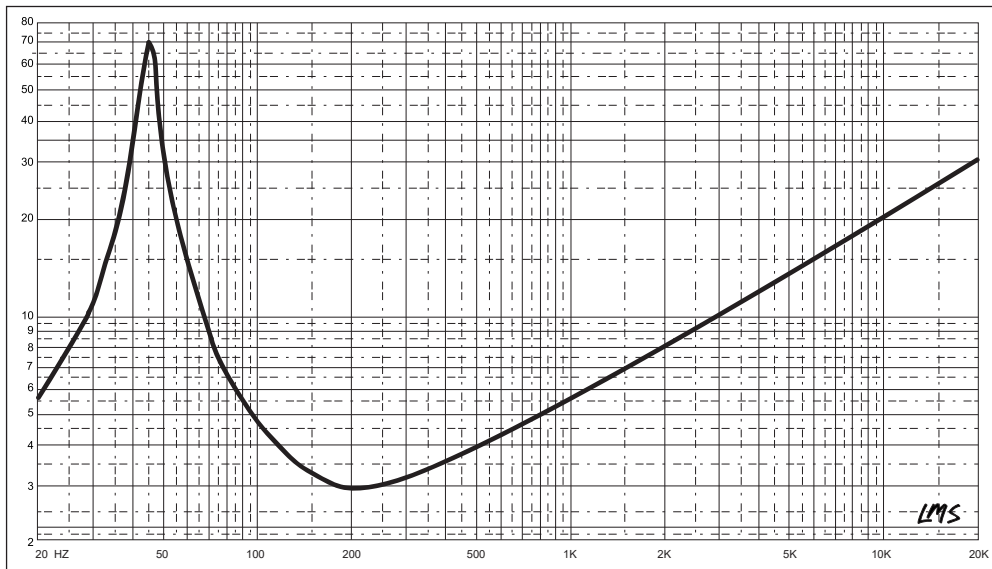
PRO-3KP12.8 PANCADÃO®




PRO-3KP12.8

PANCADÃO®

Impedance vs Freq

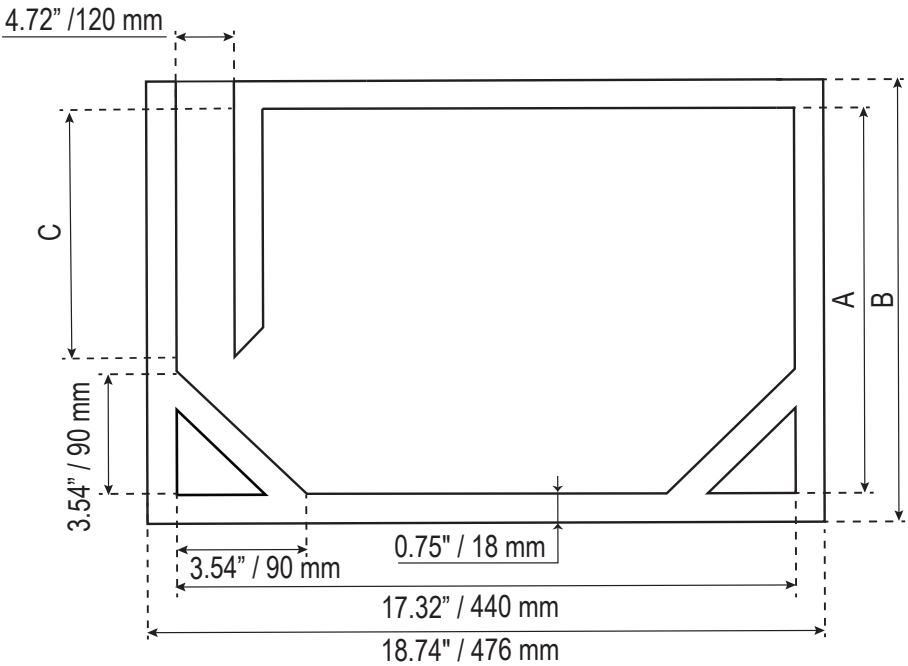
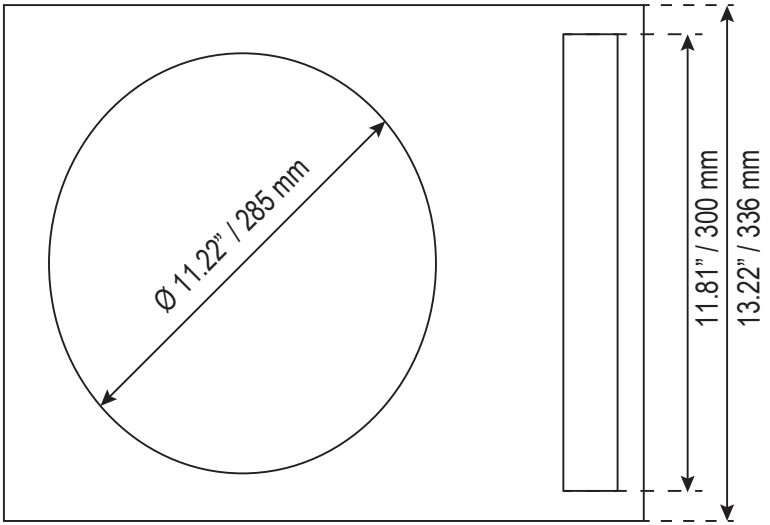


RECOMMENDED BOX:

Model (Boxes)	Internal Volume Liters (L)	Box Dimensions (inches / millimeters)		Port Dimensions	Fb (Hz)	HPF (Hz)
		A	B	C	Box Tuning	
PRO-3KP12.8 Box I	40	11.81" / 300 mm	13.22" / 336 mm	6.69" / 170 mm	110	80
PRO-3KP12.8 Box II	45	13.38" / 340 mm	14.8" / 376 mm	7.08" / 180 mm	100	80
PRO-3KP12.8 Box III	50	14.96" / 380 mm	16.37" / 416 mm	8.26" / 210 mm	90	75

Wood: 3/4" / 18 mm

RECOMMENDED BOX DIMENSIONS:





FOR MORE INFORMATION
PLEASE VISIT
DS18.COM

WE LIKE IT LOUD

The DS18 logo, consisting of the letters "DS18" in a bold, stylized, italicized font. The "D" and "S" are connected, and the "18" is separate. A registered trademark symbol (®) is located to the upper right of the "8".

DS18®