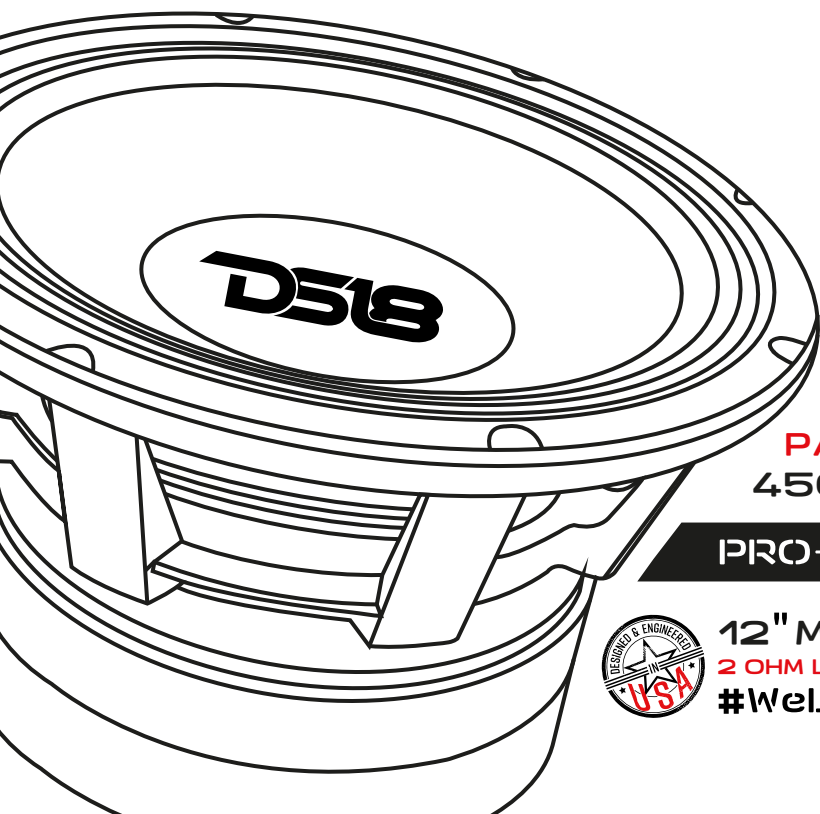


D518

PRO

OWNER'S MANUAL



2 OHM

PANCAÇÃO
4500W MAX

PRO-3KP12.2

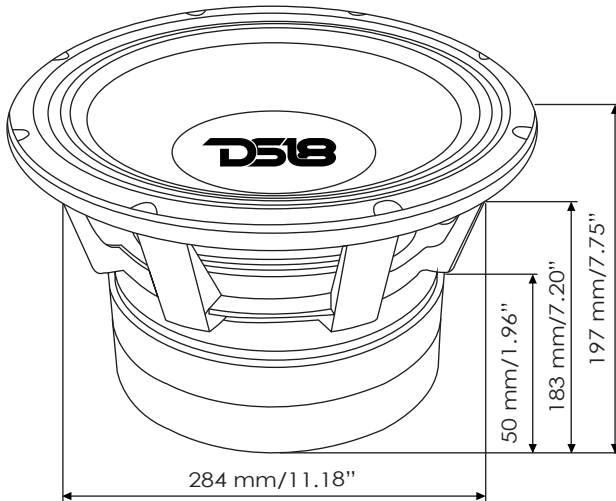
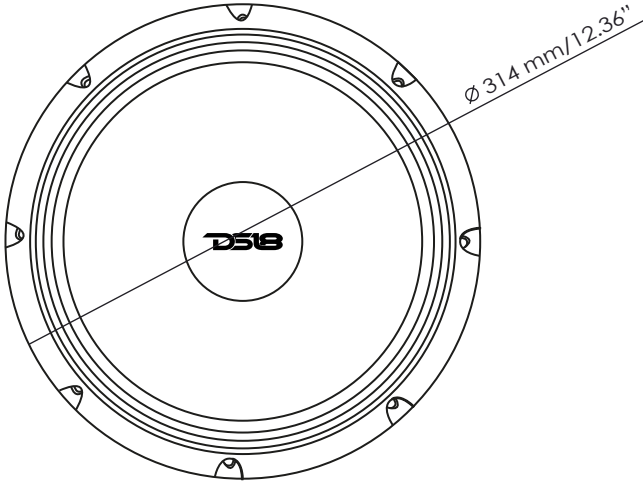


12" MIDRANGE
2 OHM LOUDSPEAKER

#WeLikeItLoud



PRO-3KP12.2
PANCADÃO 12" MIDRANGE



Specifications:

Nominal Diameter.....	12"
Nominal Impedance.....	2 ohms
RMS Power Handling.....	3000W
Maximum Power Handling.....	4500W
Sensitivity (1w/1m).....	94.3dB
Frequency Response.....	65Hz-4.5KHz
Minimum Impedance.....	1.8 ohm
Recommended Hi Pass Crossover.....	80 Hz

Midrange:

Voice Coil Diameter.....	4" (101.6 mm)
Voice Coil Former Material.....	Fiber Glass
Winding Material.....	CCAW
Basket Material.....	Aluminum
Magnet Weight.....	250 oz

Thiele & Small Parameters:

Equivalent Volume	Vas	39.97 LTR
Excursion	Xmax	7 mm
Free Air Resonance	Fs	45.13 Hz
Mechanical Factor	Qms	7.79
Electrical Factor	Qes	0.209
Total Factor	Qts	0.203
Dc Resistance	Re	1.8 ohms

Measurements:

Overall Diameter.....	314 mm / 12.36"
Front Mount Baffle Cutout.....	284 mm / 11.18"
Mounting Depth	183 mm / 7.20"
Overall Depth	197 mm / 7.75"

DS18 PRO

PRO-3K12.2
PANCADÃO 12" MIDRANGE

MAX Power Handling 4500 Watts

RMS Power Handling: 3000 Watts

Frequency Response: 65Hz-4.5KHz

Nominal Impedance: 2 ohms

Mounting Depth: 183 mm (7.20")

Sensitivity (1W/1M): 94.3dB

Magnet Material: Ferrite

Magnet Weight: 250 oz

Voice Coil Material: Fiber Glass

Voice Coil Diameter: 4" (101.6 mm)

#WELIKEIT
LOUD

