

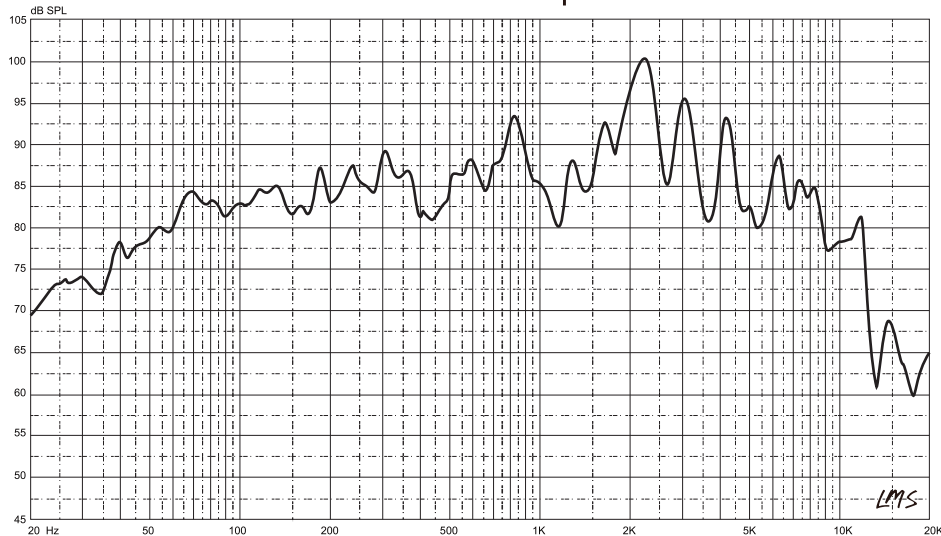


PRO-1.5KP12.2

12" MID BASS

- Nominal Impedance: 2 ohms
- RMS Power Handling: 1500 Watts
- MAX Power Handling: 3000 Watts
- Sensitivity (1w/1m): 96.5 dB
- Frequency Response: 72Hz - 8kHz
- Voice Coil Diameter: 4"
- Basket Material: Aluminum
- Magnet Weight: 150 Oz

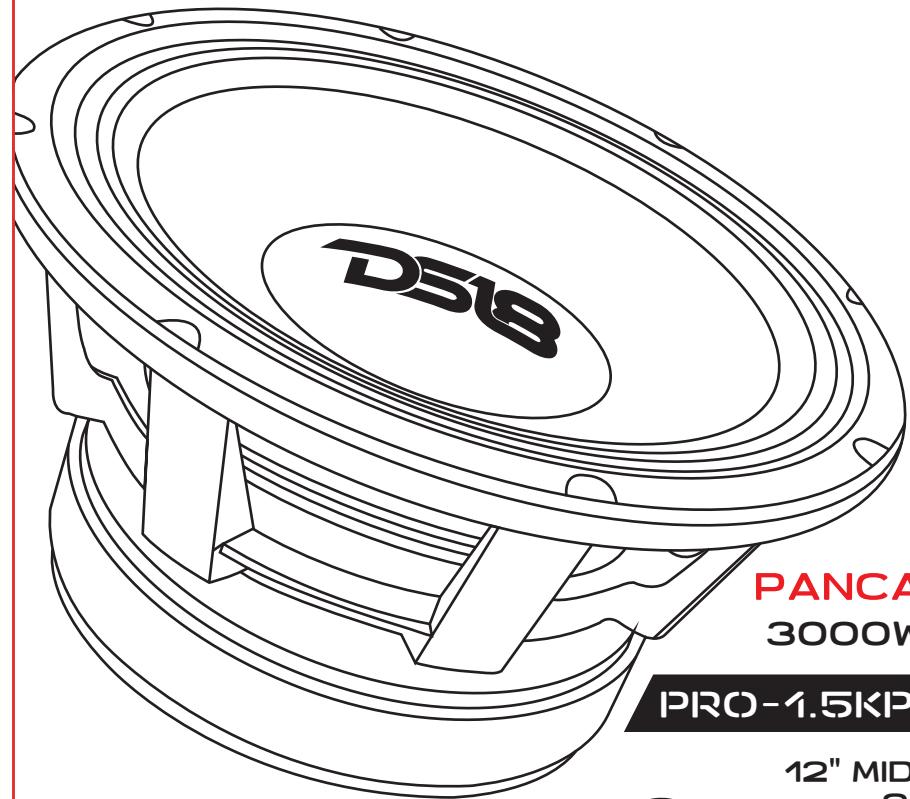
SPL vs Freq



DS18.COM



OWNER'S MANUAL



PANCAÇÃO®
3000W MAX

PRO-1.5KP12.2

12" MID BASS
2 OHMS



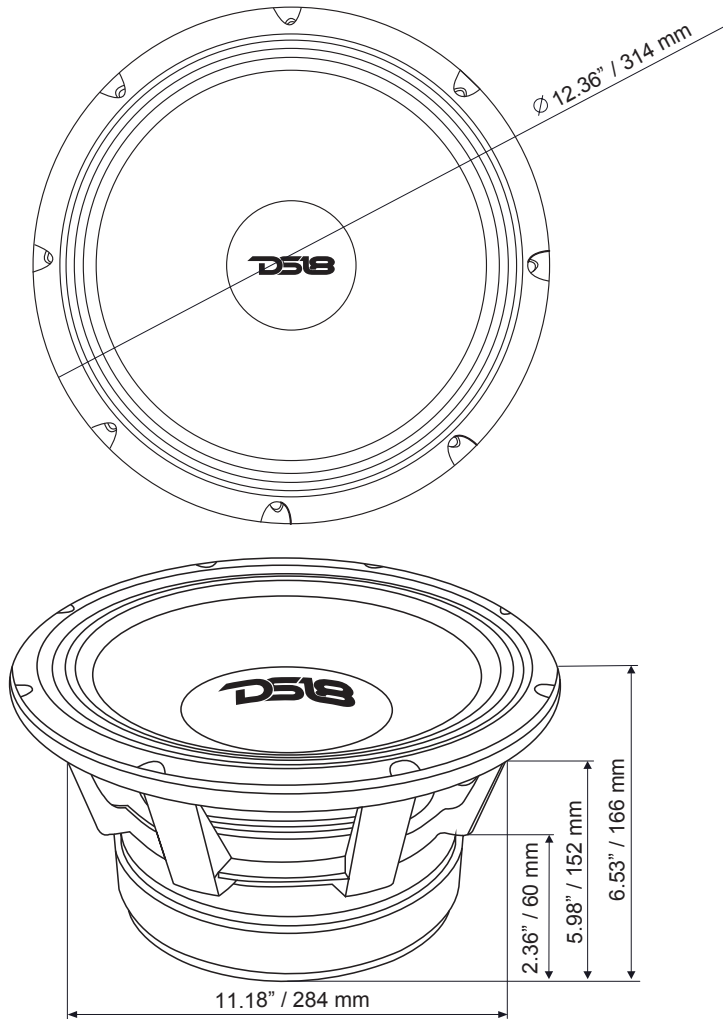
#WeLikeItLoud
📱📺📷



PRO-1.5KP12.2

12" MID BASS

PANCA DÃO®



#WeLikeItLoud    



PRO-1.5KP12.2 12" MID BASS

SPECIFICATIONS:

Nominal Diameter	12"
Nominal Impedance	2 ohms
RMS Power Handling	1500 W
MAX Power Handling	3000 W
Sensitivity (1w/1m)	96.5 dB
Frequency Response	72Hz-8kHz
Recommended Hi Pass Crossover	70 Hz

MOTOR

Voice Coil Diameter	4"
Voice Coil Former Material	Fiber Glass
Winding Material	CCAW
Cone Material	Paper
Dust Cap Material	Paper
Surround Material	Ferrite
Basket Material	Aluminum
Magnet Material	Ferrite
Magnet Weight	150 Oz

THIELE & SMALL PARAMETERS

Equivalent Volume	Vas	22.775 L
Free Air Resonance	Fs	72.424 Hz
Mechanical Factor	Qms	9.451
Electrical Factor	Qes	0.301
Total Factor	Qts	0.291
Dc Resistance	Re	1.6 OHMS
Force Factor	Bl	15.144
Moving Mass	Mms	94.679
Compliance	Cms	51 mm/N
Voice Coil Inductance	Le	1.566MH
Diaphragm Area	Sd	560 cm2
Efficiency Bandwidth Product	EBP	240.5

MEASUREMENTS

Overall Diameter	12.36" / 314 mm
Overall Depth	6.53" / 166 mm
Front Mount Baffle Cutout	11.18" / 284 mm
Mounting Depth	5.98" / 152 mm
Motor Diameter	8.66" / 220 mm