



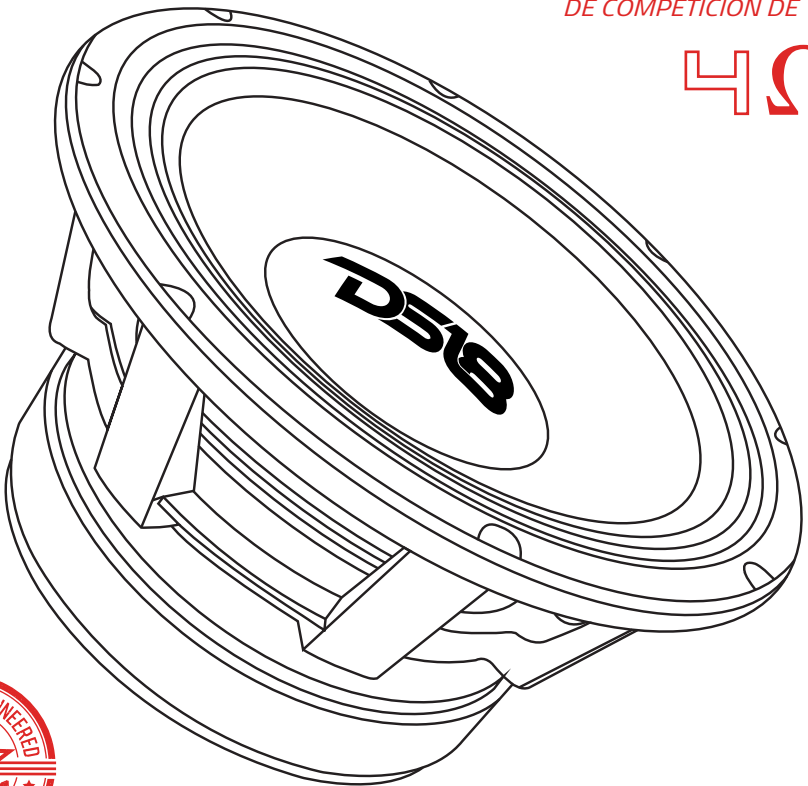
DS18[®]
PRO

OWNER'S MANUAL
MANUAL DEL USUARIO

PRO-1.5KP10.4
10" COMPETITION MID-BASS /
WOOFER LOUDSPEAKER

*ALTAVOZ TIPO WOOFER / MEDIO BAJO
DE COMPETICION DE 10"*

4Ω



SPECIFICATIONS / ESPECIFICACIONES:

Nominal Diameter / Diámetro Nominal.....	10"
Nominal Impedance / Impedancia Nominal.....	4 OHMS
RMS Power Handling / Manejo de Potencia RMS.....	1500W
MAX Power Handling / Manejo de Potencia MAX.....	3000W
Sensitivity (1w/1m) / Sensibilidad (1w/1m).....	94.4 dB
Frequency Response / Respuesta de Frecuencia.....	80Hz-10kHz
Recommended Hi Pass Crossover / Crossover Paso alto Recomendado.....	80Hz
Pair or Single / Par o Unidad.....	Single / Unidad

MOTOR / MOTOR:

Voice Coil Diameter / Diámetro de la Bobina de Voz.....	3"
Voice Coil Former Material / Material Interior de Bobina Móvil.....	Fiber Glass / Fibra de Vidrio
Winding Material / Material de Bobinado.....	CCAW
Cone Material / Material del Cono.....	Paper / Papel
Dust Cap Material / Material de la Tapa anti-polvo.....	Paper / Papel
Surround Material / Material de la Suspension.....	Cloth / Tela
Basket Material / Material de la Canasta.....	Aluminum / Aluminio
Basket Color Finish / Color Acabado de Canasta.....	Black / Negro
Magnet Material / Material del Imán.....	Ferrite / Ferrita
Magnet Weight / Peso del Imán.....	90 Oz

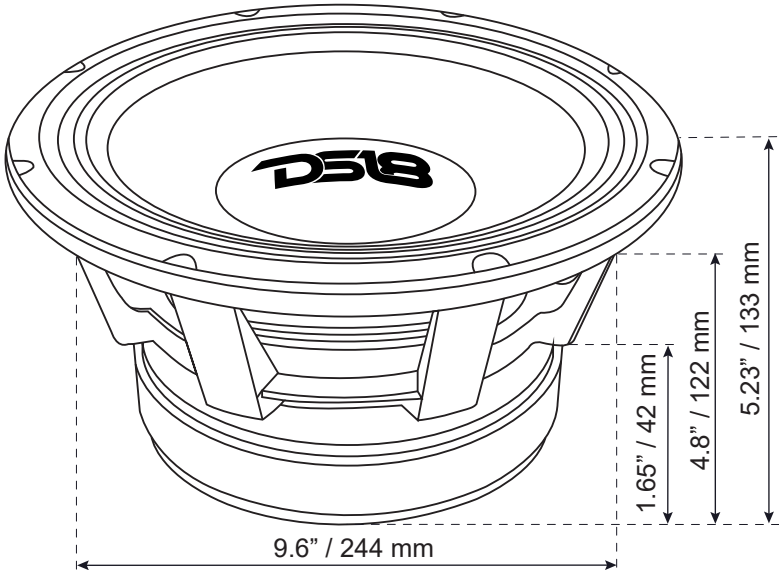
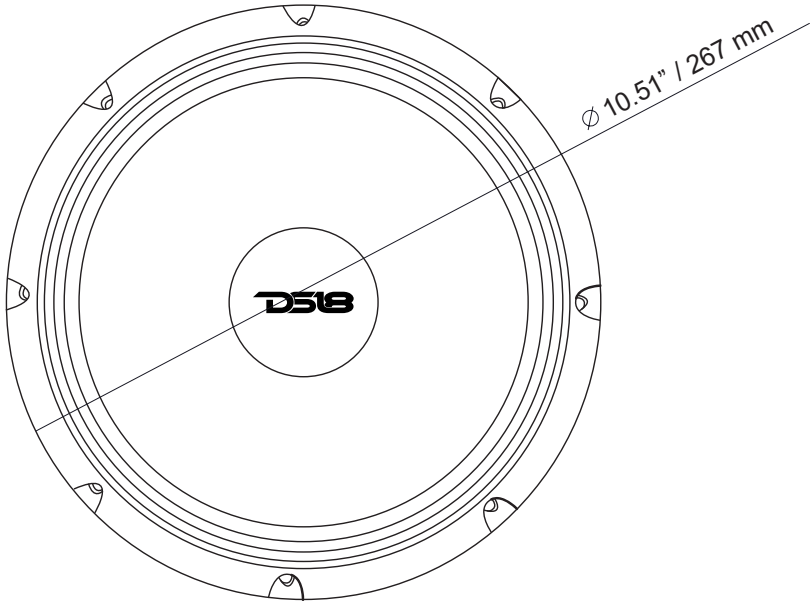
THIELE & SMALL PARAMETERS / PARÁMETROS T/S:

Equivalent Volume / Volumen Equivalente.....	Vas.....	13.935 L
Free Air Resonance / Resonancia al Aire Libre.....	Fs.....	81 Hz
Mechanical Factor / Factor Mecánico.....	Qms.....	5.622
Electrical Factor / Factor Eléctrico.....	Qes.....	0.409
Total Factor / Factor Total.....	Qts.....	0.382
Mechanical Mass / Factor Mecánico.....	Mms.....	52.232g
Mechanical Compliance / Cumplimiento Mecánico.....	Cms.....	74.45 mm/N
BL Factor / Factor BL.....	BL.....	13.459
Voice Coil Inductance / Inductancia de Bobina de Voz.....	Le.....	13.459
Cone Area / Area del cono.....	Sd.....	363 cm ²
DC Resistance / Resistencia DC.....	Re.....	2.08 ohm
Efficiency Bandwidth Product / Eficiencia del Ancho de Banda del Producto.....	Ebp.....	198

MEASUREMENTS / MEDIDAS:

Overall Diameter / Diámetro Total.....	10.51" / 267 mm
Overall Depth / Profundidad Total.....	5.23" / 133 mm
Front Mount Baffle Cutout / Corte del Orificio de Montaje.....	9.25" / 235mm
Mounting Depth / Profundidad de Montaje.....	4.8" / 122 mm
Motor Diameter / Diámetro del Motor.....	7.87" / 200 mm

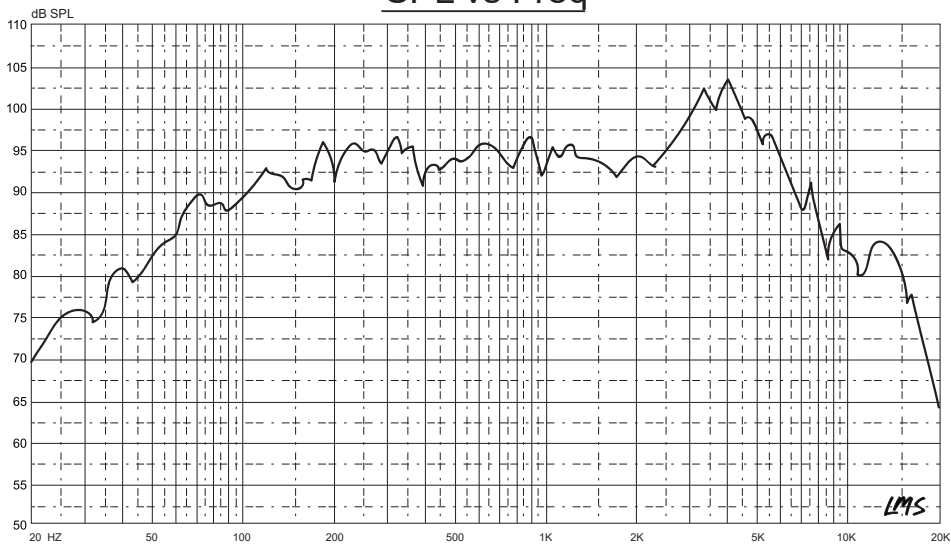
PRO-1.5KP10.4 PANCADÃO®



PRO-1.5KP10.4

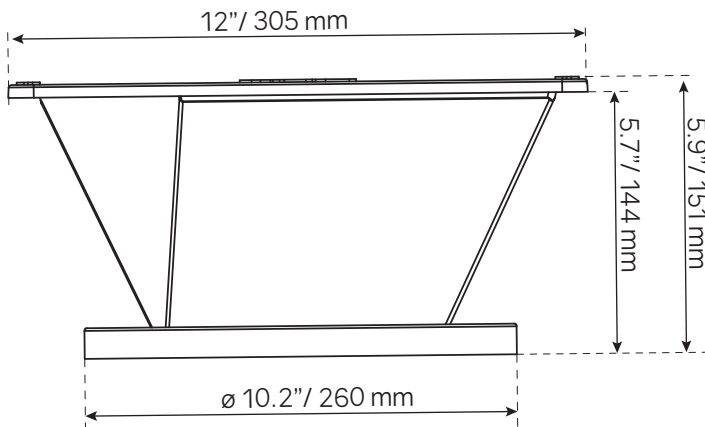
PANCADÃO®

SPL vs Freq

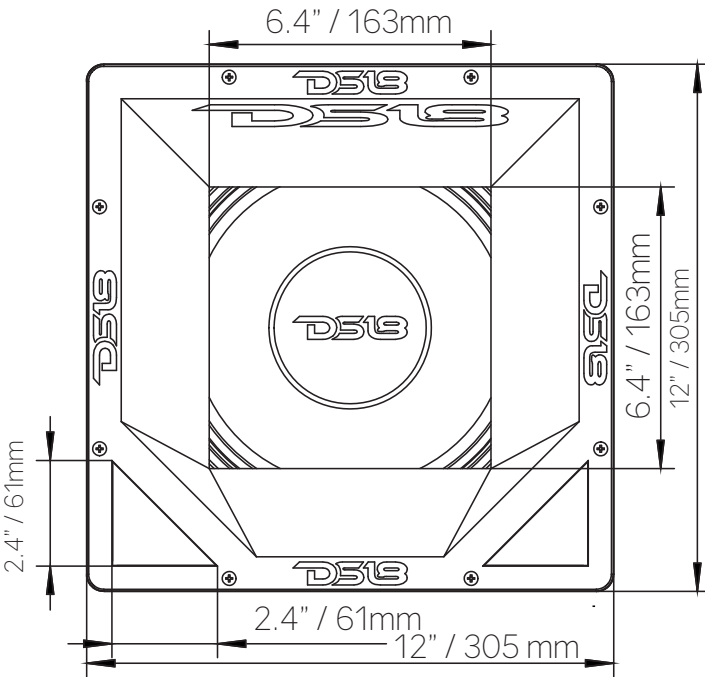
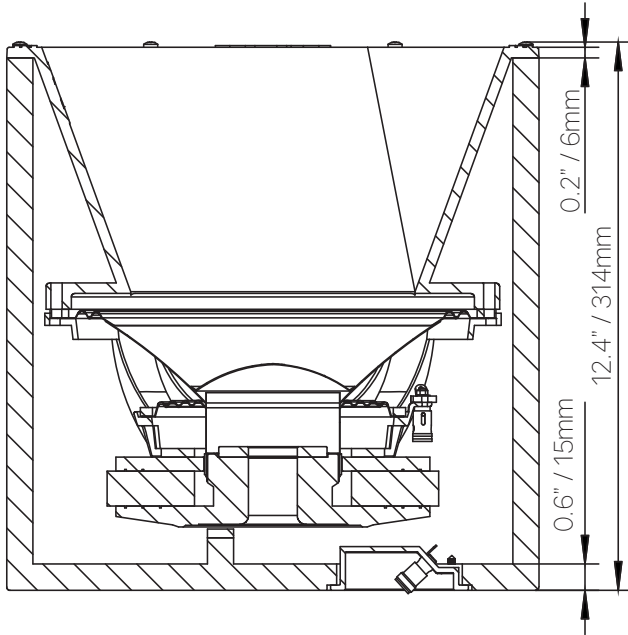


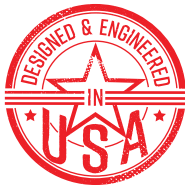
RECOMMENDED DIFFUSER:

PRO-SDF10



RECOMMENDED BOX:





FOR MORE INFORMATION
PLEASE VISIT
DS18.COM

WE LIKE IT LOUD

The DS18 logo, consisting of the letters "DS18" in a bold, stylized, italicized font. The "D" and "S" are connected, and the "18" is separate. A registered trademark symbol (®) is located at the top right of the "8".

DS18®