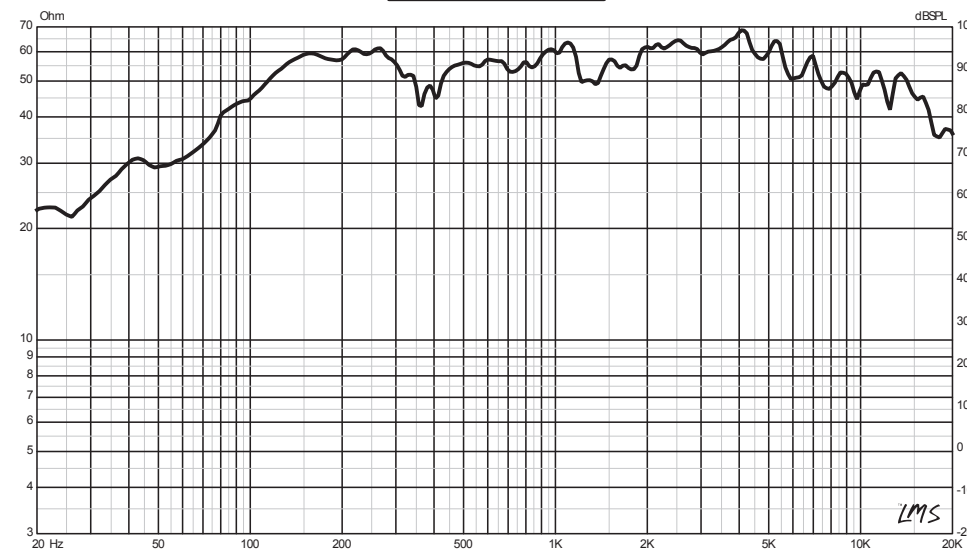


PRO-NEO6SLIM

6.5" SHALLOW NEO MIDRANGE LOUDSPEAKER
HEAVY DUTY ALUMINUM BASKET
HIGH STRENGTH NEODYMIUM MAGNET
CLOTH EDGE AND NON-PRESSED PAPER CONE
1.5" KCCA W 2 LAYER VOICE COIL
200 WATTS RMS POWER
400 WATTS MAX POWER
IMPEDANCE 4 OHMS
SENSITIVITY 96 DB
FREQUENCY RESPONSE 136 - 11 KHZ

SPL vs Freq



WE LIKE IT LOUD

WWW.DS18.COM



OWNER'S MANUAL

PRO-NEO6SLIM

6.5" SHALLOW NEO MIDRANGE LOUDSPEAKER

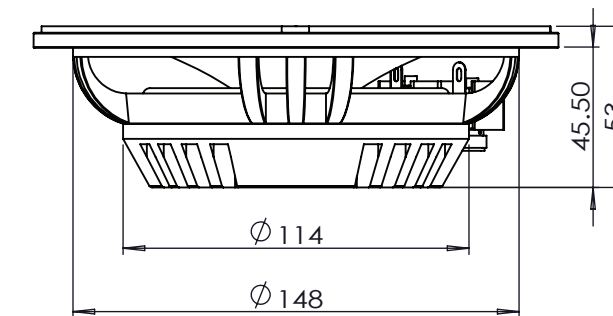
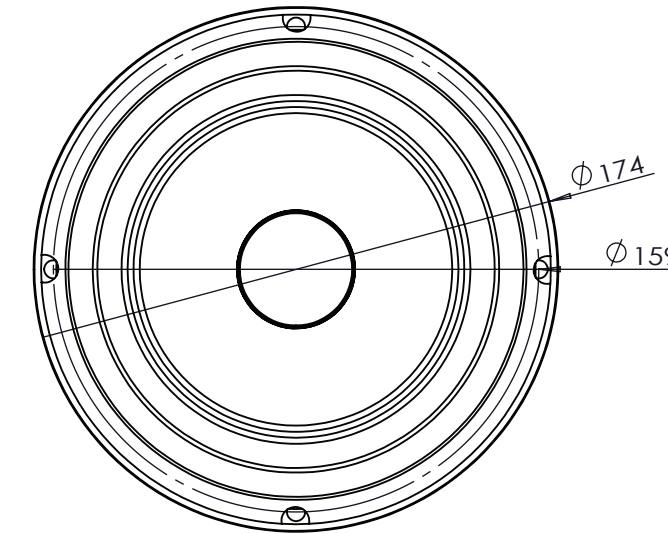
400 WATTS MAX POWER

REINFORCED FIBERGLASS WOVEN DUST
CAP FOR HIGH POWER APPLICATIONS

#WELIKEITLOUD



PRO-NEO6SLIM



PRO-NEO6SLIM

6.5" SHALLOW NEO MIDRANGE LOUDSPEAKER

Overall Diameter	174mm(6.85in)
Baffle Cutout Diameter	148mm(5.82in)
Depth	45.5mm(1.8in)
Nominal Impedance	4.0Ω
Minimum Impedance	3.2Ω
Rms Power Handling	200 W
Maximum Power Handling	400 W
Sensitivity (1w/1m)	96 dB
Frequency Response	136-11 KHZ
Voice Coil Diameter	38.6mm(1.5in)
Winding Material	KCCA W
Magnet Weight	NEO 35 oz
Magnet Size	74x45x6

THIELE & SMALL PARAMETERS

Fs	136.4HZ
Re	3.2Ω
Qes	0.591
Qms	11.201
Qts	0.562
Vas	1.964 LTR
Xmax	8.2mm



#WELIKEITLOUD

WWW.DS18.COM



/DS18SOUND



@DS18_SOUND