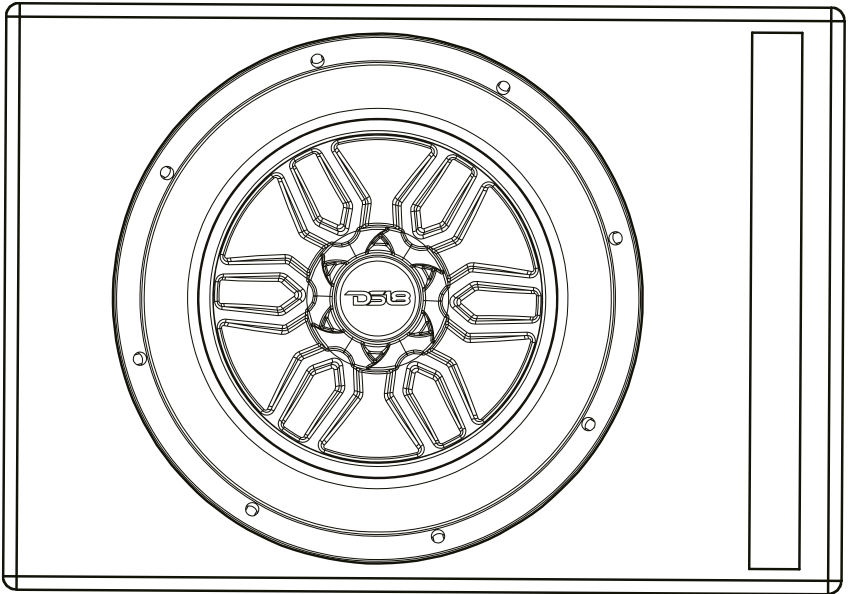




# DS18<sup>®</sup>

## OWNER'S MANUAL LSE-112A

BASS PACKAGE 1 X  
SLC-MD12 IN A PORTED BOX  
WITH S-1500.1 AMPLIFIER AND  
4-GA AMP KIT - 500 WATTS





## SPECIFICATIONS

### General

Speaker Size.....	Single 12"
Total Impedance.....	4 ohms
Total RMS Power Handling.....	250 watts
Total MAX Power Handling.....	500 watts
Sensitivity (1w/1m) .....	93 db
Frequency Response.....	29-250hz
Recommended Lo Pass Crossover....	80 Hz

### Subwoofer

Voice Coil Diameter.....	50.8mm (2")
Voice Coil Former Material .....	Aluminum
Winding Material .....	ACCAW
Cone Material.....	PPI
Surround Material.....	Rubber
Basket Material.....	Steel
Magnet Material.....	Ferrite
Magnet Weight.....	42 oz

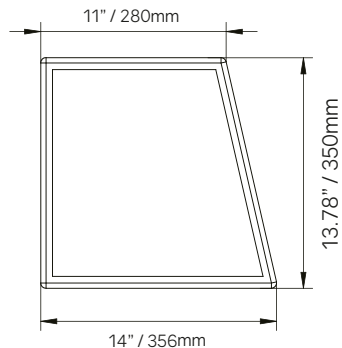
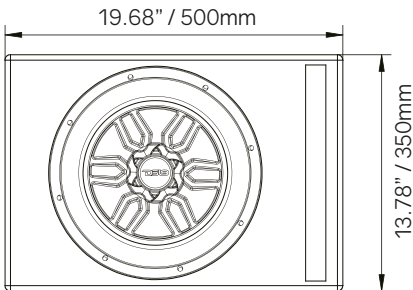
### Box Specifications

Port Tune.....	35hz
Dust Cap Material.....	45.3L
Load Configuration.....	Front Ported
Box Material.....	1/2" MDF
Finish Material.....	Vinyl

### Measurements:

Height.....	13.78" / 350mm
Width.....	19.68" / 500mm
Depth 1.....	11" / 280mm
Depth 2.....	14" / 356mm

LSIE-112A



\$1500.1

**Amplifier**

Circuit Topology.....	Class AB Monoblock Amplifier
RMS Power Output @ 2 OHMS.....	350 watts
RMS Power Output @ 4 OHMS.....	220 watts
Total Harmonic Distortion.....	< .3%
S/N Ratio Ref 1w @ 4 OHMS.....	> 90 db
Gain Range.....	0.2-6V
Crossover Range.....	50-250hz
Frequency Range.....	20Hz-500 Hz
Dimensions.....	13.7"/348mm
	5.8"/148mm
	1.8" / 47.5mm

AMPKIT 4

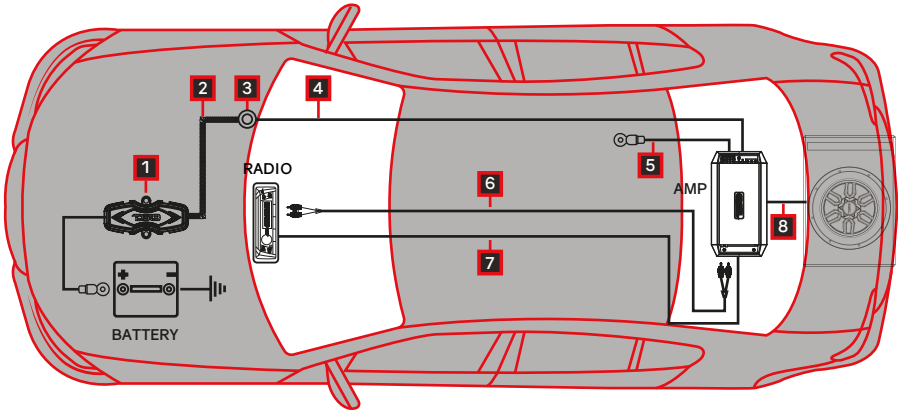
**INSTALLATION KIT**

1. AGU Fuse Holder With AGU-100A
2. 6ft. 4GA Loom Tube
3. Rubber Grommet
4. 17ft. Red Power Cable: 21mm<sup>2</sup> OD: 10mm
5. 3ft. Black Ground Cable: 21mm<sup>2</sup> OD: 10mm
6. 17ft. Red/Black Twisted RCA Cable
7. 17ft. Turn-On Cable: 20\*0.15mm
8. 17ft. Red/Black Speaker Cable: 1.31mm<sup>2</sup> x 2 wires OD 3.2 x 6.4mm

**4GA ACCESSORIES SET:**



## INSTALLATION



Professional installation by an authorized DS18 dealer is highly recommended!. Otherwise, the performance of your new gear may not be satisfactory. In the event that you decide to do your own installation, please read and follow this manual carefully. Failure to do so may compromise the integrity of this product, your automobile, and possibly void the product warranty.

Amplifiers are generally mounted in the hatch/trunk area of a car or SUV, and under or behind the seat of most pick up trucks. Select a location that will provide adequate ventilation for the amplifier. Avoid mounting the amplifier with the fins facing down. The fins should be facing up, either vertically or horizontally. Secure the amplifier with the screws provided.

Before securing the amplifier, inspect the mounting location carefully to ensure that you do not drill into or damage any electrical, hydraulic, fluid or fuel lines.

## INSTALLATION INSTRUCTIONS

- 1** Before you start, disconnect the negative cable from the car battery. Tape up the end so it is isolated from the battery.
- 2** Run an appropriate gauge wire from the battery to the amplifier. Plan this part of the installation carefully. This cable will carry very high current. If it should short to the body and it is not properly fused it could catch fire.

- 3** Connect the power wire to the battery using a fuse capable of the total current load of all amplifiers connected. Don't install the fuse yet. Wait until the end. Locate the fuse as close as possible to the battery. If the fuse is further than 18 inches (wire length) from the battery you should reevaluate the wire and fuse placement.
- 4** Find the closest clear metal area to the amp for a ground, sand, grind or scrape all paint and undercoating from the body and screw the ground securely in place. It is advisable to test the ground with an ohmmeter between the ground cable and the negative battery cable to insure a good low resistance connection. Some alloys used in modern cars do not offer the best ground. If you believe this is the case consult with the vehicle manufacturer.
- 5** Run the speaker wire to the speakers. It is advised that you leave some extra wire at this point. You can "clean it up" later.
- 6** If you haven't already done so, mount the amp now.
- 7** Connect the power and ground to the amplifier.  
Only after this step should you install the fuse at the battery.
- 8** Connect the remote wire from the head unit to the amplifier. Now is a good time to turn on the amp for the first time. Make sure it turns on properly and does not go into protection.
- 9** Connect the speaker wires to the amp and speakers (make sure the amp is off first). Make sure the polarity (+and-) is correct.
- 10** Connect the RCA's to the amp.
- 11** Double check the amplifier controls at this time. Make sure everything is set correctly for your system.
- 12** Now you're ready to play it for the first time. It is best to leave the gain all the way down at first. Start with the head until volume low and work your way up.
- 13** Now you can tune the amp. Take your time and make only one adjustment at a time. It may take some time to get the system fully adjusted. During this time the amp is drawing current from the battery. You should check the battery voltage from time to time and re-charge it if it gets low. That's it. You're done. Now have fun.





FOR MORE INFORMATION  
PLEASE VISIT  
[DS18.COM](http://DS18.COM)

*WE LIKE IT LOUD*

The DS18 logo, consisting of the letters "DS18" in a bold, stylized, italicized font. The "D" and "S" are connected, and the "18" is slightly separated. A registered trademark symbol (®) is located to the upper right of the "8".

**DS18<sup>®</sup>**