



D518[®]

JL- HARNESS USER MANUAL



JL-HARNESS

Thank you for choosing the DS18 JL-HARNESS for your factory radio.

This harness installation kit will allow you to add an amplifier under the passenger seat for the DS18 JL-SBAR and also amplify the dashboard speakers (optional), it also comes ready for the LED-BTC lights module and the audio signal module V4HL.V2.

WHAT IS INCLUDED:

- Harness kit OFC with all factory style connectors and terminals
- Fuse Holder Mini-ANL 150A

WHAT YOU WILL NEED:

- Any 4, 5 or 6 channels amplifier
- DS18 Smart Line Output Conversion Module (V4HL.V2).
- LED RGB Control module (LED-BTC).
- Soundbar for Jeep JL / JLU / JT (JL-SBAR).
- 4 x 8" Speakers (NXL-8 recommended).
- 4 x 1.75" Tweeters (PRO-TW4L recommended).
- Optional DS18 Dash enclosure upgrade with 6" Neo Mid-Range (JP6).
- Optional DS18 Dash Tweeter upgrade using PRO-TWR3 ring adapter and PRO-TWN4 or similar.

ATTENTION

Installation of mobile audio and video components requires experience with a variety of mechanical and electrical procedures. Although this manual provides general installation and operation instructions, it does not show the exact installation methods for your vehicle. If you do not have the required knowledge and experience to successfully complete the installation, consult an authorized dealer about professional installation service.

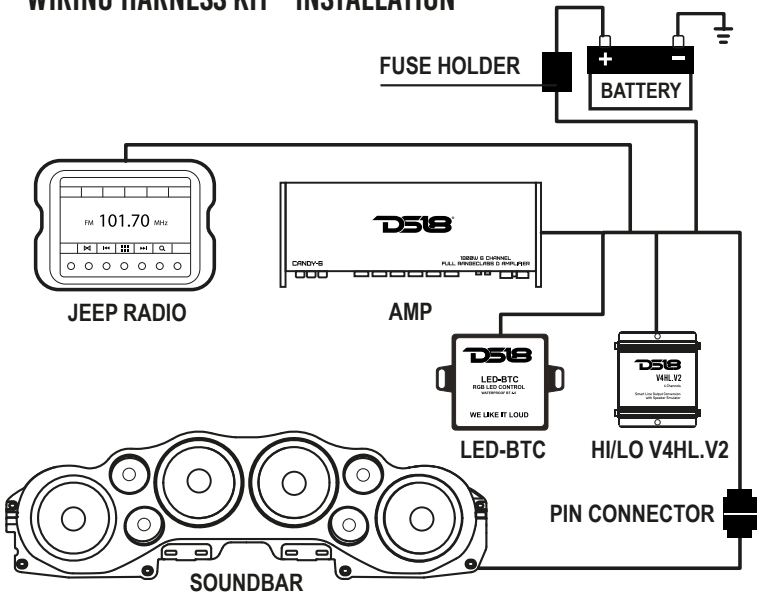
Please visit [DS18.tools](https://www.ds18.tools) for a full installation video

Specially designed for Jeep:



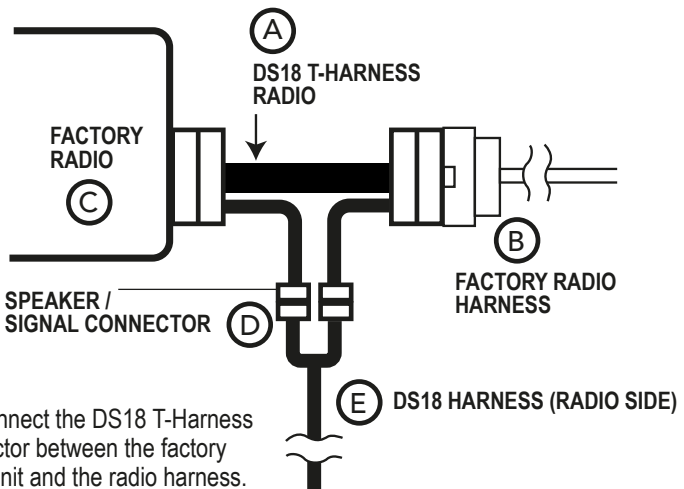
JEEP JL/JLU/JT SOUNDBAR

WIRING HARNESS KIT - INSTALLATION



RADIO SIDE INSTALLATION

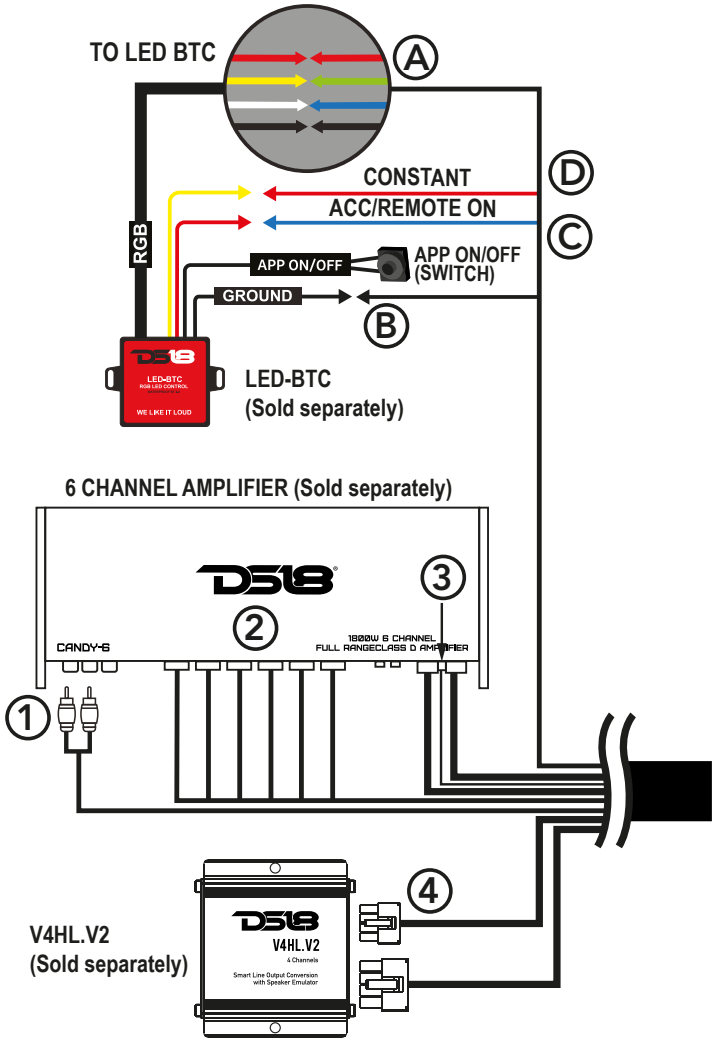
USING FACTORY OEM RADIO (WITHOUT PREMIUM/ALPINE SOUND SYSTEM)



A - Connect the DS18 T-Harness connector between the factory radio unit and the radio harness.

****ATTENTION**** Disconnect the negative post (Ground) of the battery before you start the installation. This helps avoid airbags coding and malfunctions, codes module malfunction or any electrical issues

AMPLIFIER SIDE INSTALLATION



A. RGB Wire: connect this RGB wire to the LED-BTC module matching the color wires as described in the picture (Red: Red, Yellow: Green, White: Blue, Black: Black).

B. Black Wire: Negative (ground) to the LED-BTC module.

C. Blue Wire: this is the signal to turn on the LED-BTC module, connect this to the Red (acc) wire of the module.

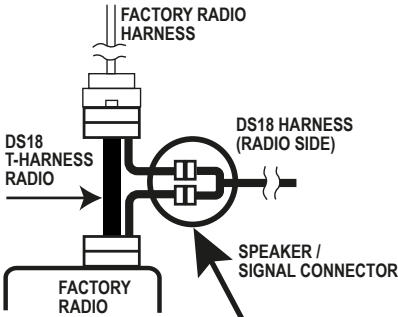
D. Red Wire: this is the constant +12v from the battery to the LED-BTC module, connect this to the Yellow wire of the module.

AMPLIFIER SIDE INSTALLATION

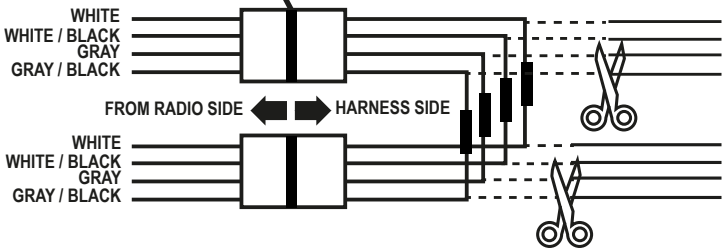
1 - "Front" amplifier audio signal connector: connect this using the supplied RCA connector and connect this to the amplifier CH1 and Ch2 RCA input. (Using front speaker upgrade)

"Rear" Amplifier Audio Signal Connector: connect this using the supplied RCA connector and connect this using "Y" RCA splinter to the amplifier CH3 to CH6 RCA input. (Using a 6CH amplifier with front speaker upgrade)

NOTE: If you use 4 or 5 Channels amplifier without upgrading the front speaker you will need to bypass the "Front" signal. Use only the "Rear" signal to JL-SBAR or subwoofer channels.



Cut the wires: White CH1(+), White /Black CH1(-), Gray CH2(+) and Gray/Black CH2(-) from each Harness side speaker/signal connector and connect each same color together using crimp wire connectors:

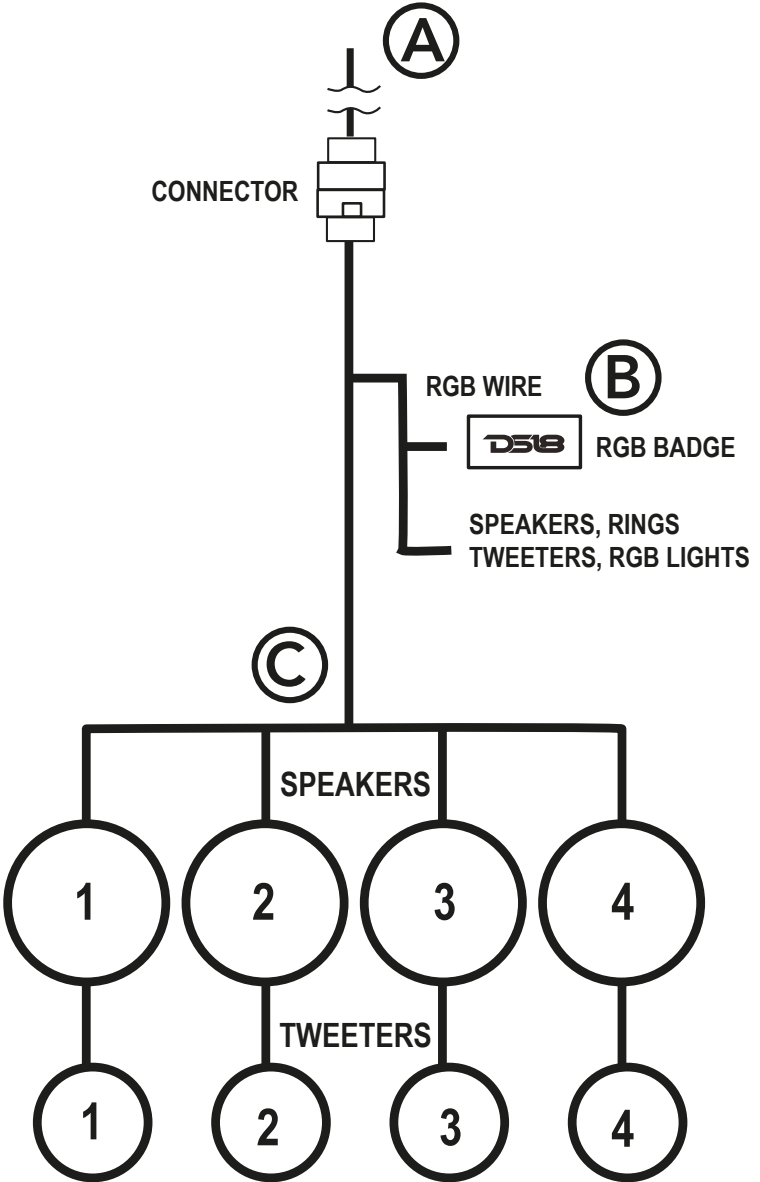


2 - Speaker harness: Connect the Front Speaker Harness to the "Front" output amplifier channels: White: CH1(+), White/Black: CH1(-), Gray: CH2(+), Gray/Black: CH2(-) and Connect the Soundbar speaker harness to the channels 3 to 6 of the amplifier: White: CH3(+), White/Black: CH3(-), Gray: CH4(+), Gray/Black: CH4(-), Green: CH5(+), Green/Black: CH5(-), Violet: CH6(+), Violet/Black: CH6(-).

3 - Amplifier Power wires, Red: Positive from the battery, Black: Negative Ground, Blue: Remote turn-on.

4 - Smart Line Output Conversion Module: this is a Plug and Play connector using this module (V4HL.V2). This module converts the speaker signal from the factory radio to a low-level audio signal for the amplifier, this also has a speaker emulator that enables the signal output of the factory amplifier and provides the Remote turn-on for the amplifier and LED Module.

SOUNDBAR SIDE



SOUNDBAR SIDE

- A - Sound Bar Connector:** this goes outside the soundbar and allows us to connect and disconnect it for any service, speaker replacement or facilitate the installation.
- B - RGB LED light wire:** connect this to each RGB LED lightings such as speakers, rings, grills, tweeters, and DS18 Badge used for the Soundbar.
Black: +12V, Red: Red color (-), Green: Green color (-), Blue: Blue color (-).
- C - Speaker Wires:** connect these wires to each speaker in the soundbar like this:

Speaker 1 and Tweeter 1 connected in parallel to the wire: White: (+), White/Black: (-)

Speaker 2 and Tweeter 2 connected in parallel to the wire: Green: (+), Green/Black: (-)

Speaker 3 and Tweeter 3 connected in parallel to the wire: Gray: (+), Gray/Black: (-)

Speaker 4 and Tweeter 4 connected in parallel to the wire: Violet: (+), Violet/Black: (-)

*Always use the bass blocker (filter) on each tweeter to avoid burning it.

FINAL STEP

1. Run the positive power wire to the front battery under the hood, you can use the existent drain caps on the floor in the seat area to pass through the wire and route it to the battery
2. Secure the wire use zip-ties to the chassis or factory harness nearby and keep it far away from the header / exhaust.
3. Connect it on the Positive (+) terminal of the battery and secure the fuse holder in an accessible area using screws or zip-ties.
4. Once all is connected, put back the seat and make sure all connectors are plugged-in so you can re-connect the negative post (Ground) of the battery.
5. Turn on the Radio and check sound making sure that all speakers are playing, then adjust the amplifier's gain and crossover point to your preference.
6. Enjoy your new DS18 JL-HARNESS.



FOR MORE INFORMATION
PLEASE VISIT
DS18.COM

WE LIKE IT LOUD



DS18[®]