

The DS18 logo is rendered in a bold, stylized, metallic font with a 3D effect. The letters 'D', 'S', and '1' are connected, as are '8' and '0'. A registered trademark symbol (®) is located at the top right of the '8'.

**DS18<sup>®</sup>**

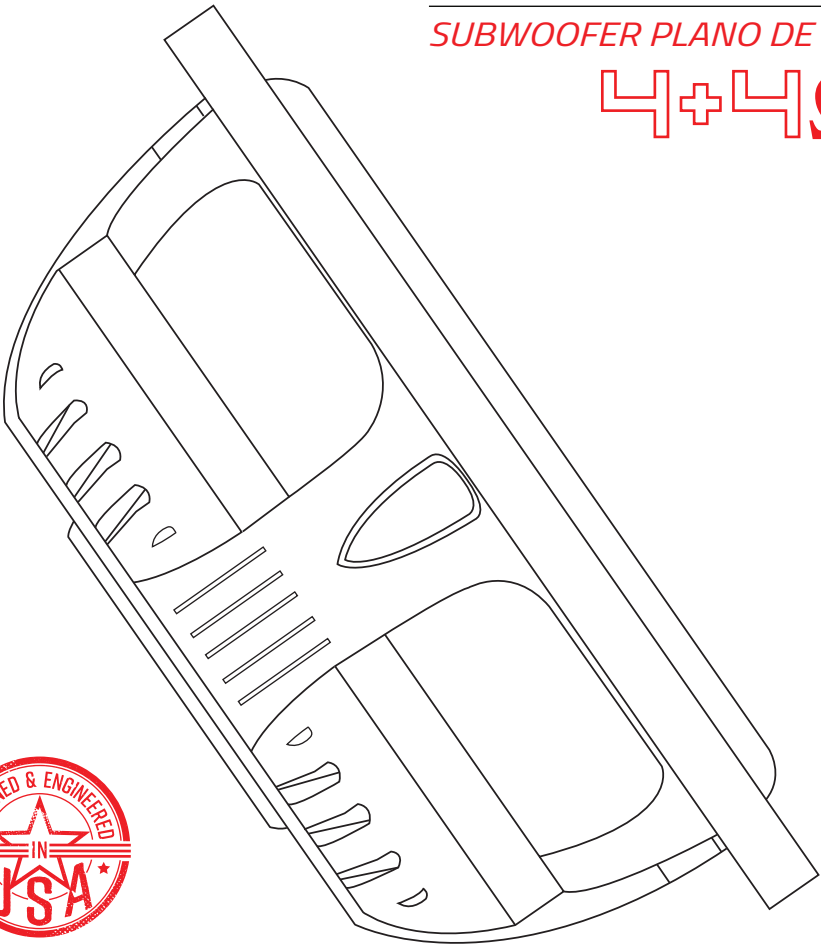
**OWNER'S MANUAL**  
*MANUAL DEL USUARIO*

**IXS12.4D**

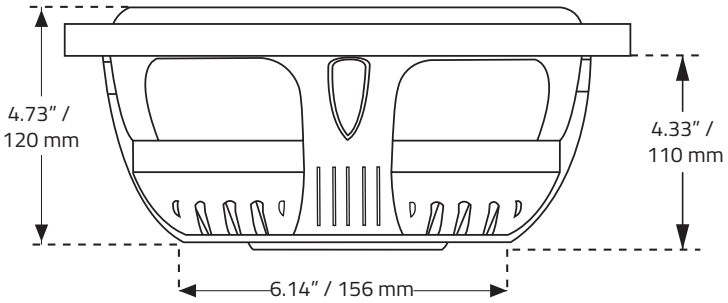
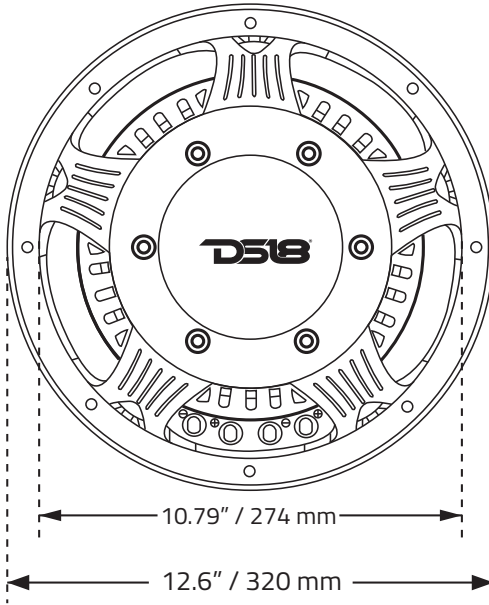
**12" SHALLOW SUBWOOFER**

*SUBWOOFER PLANO DE 12"*

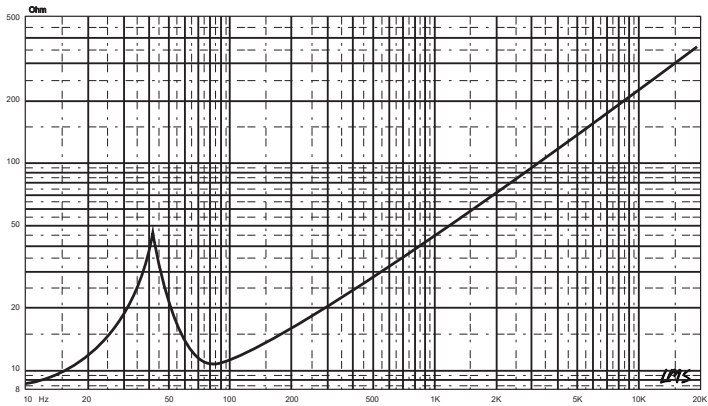
**4+4Ω**



# IXS12.4D



## Impedance vs Freq





## Specifications / Especificaciones:

|  |                  |
|--|------------------|
| Nominal Diameter / Diámetro Nominal                                | .....12"         |
| Nominal Impedance / Impedancia Nominal                             | ..... 4 + 4 ohms |
| RMS Power Handling / Manejo de Potencia RMS                        | ..... 800W       |
| MAX Power Handling / Manejo de Potencia MAX                        | ..... 1600W      |
| Sensitivity (1w/1m) / Sensibilidad (1w/1m)                         | ..... 85.1 dB    |
| Frequency Response / Respuesta de Frecuencia                       | ..... 20-600Hz   |
| Recommended Lo Pass Crossover / Crossover de Paso Bajo Recomendado | ..... 80 Hz      |

## Motor / Motor:

|  |  |
|--|--|
| VC Diameter / Diámetro de la Bobina de Voz             | .....2.5" / 63.5mm                       |
| VC Former Material / Material Interior de bobina móvil | ..... Aluminum / Aluminio                |
| Winding Material / Material de Bobinado                | ..... Copper / Cobre                     |
| Cone Material / Material del Cono                      | ..... Paper / Papel                      |
| Dust Cap Material / Material de la Tapa Antipolvo      | ..... Fiberglass / Fibra de vidrio       |
| Surround Material / Material de la Suspensión          | ..... Stitched Rubber / Goma Cosida      |
| Basket Material / Material de la Canasta               | ..... Aluminum / Aluminio                |
| Basket Color / Color de la Canasta                     | ..... Corrugated Black / Negro Corrugado |
| Magnet Material / Material del Imán                    | ..... Ferrite / Ferrita                  |
| Magnet Weight / Peso del Imán                          | ..... 62 Oz                              |
| Displacement Volume / Volumen de Desplazamiento        | ..... 0.93L                              |

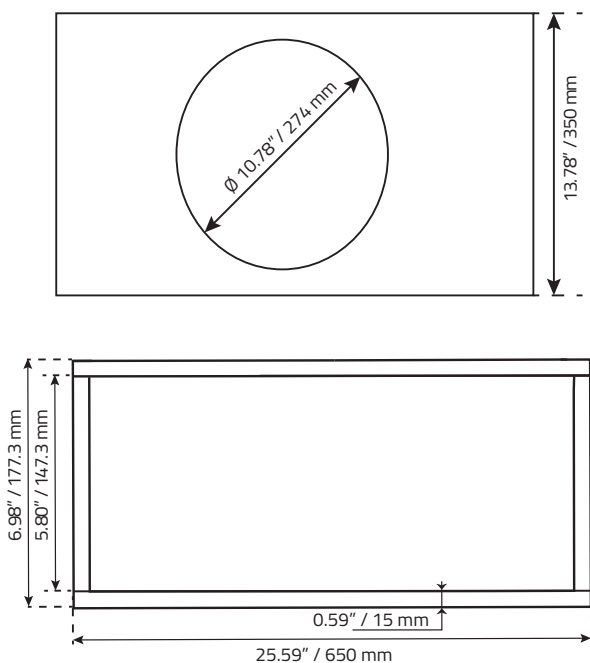
## Thiele & Small Parameters / Parámetros T/S:

|   |     |                              |
|---|-----|------------------------------|
| Equivalent Vol / Volumen Equivalente                                      | Vas | ..... 37.345                 |
| Free Air Resonance / Resonancia al Aire Libre                             | Fs  | ..... 35Hz                   |
| Mechanical Factor / Factor Mecánico                                       | Qms | ..... 4.034                  |
| Electrical Factor / Factor Eléctrico                                      | Qes | ..... 0.861                  |
| Total Factor / Factor Total   | Qts | ..... 0.71                   |
| Moving Mass / Masa en Movimiento  | Mms | ..... 184.02                 |
| Compliance / Cumplimiento Mecánico  | Cms | ..... 104 mm/N               |
| Bl Factor / Factor Bl   | BL  | ..... 18.75                  |
| VC Inductance / Inductancia de Bobina de Voz                              | Le  | ..... 7.07 mH                |
| Diaphragm Area / Área del Diafragma                                       | Sd  | ..... 502.73 cm <sup>2</sup> |
| Dc Resistance / Resistencia DC  | Re  | ..... 7.2 ohms               |
| Efficiency Bandwidth Product / Eficiencia del Ancho de Banda del Producto | EBP | ..... 42.24                  |

## Measurements / Medidas:

|   |                       |
|---|-----------------------|
| Overall Diameter / Diámetro Total                         | .....12.6" / 320 mm   |
| Overall Depth / Profundidad Total                         | ..... 4.73" / 120 mm  |
| Front Mount Baffle Cutout / Corte del orificio de montaje | ..... 10.79" / 274 mm |
| Mouting Depth / Profundidad de Montaje                    | ..... 4.33" / 110 mm  |
| Motor Diameter / Diámetro del Motor                       | ..... 6.14" / 156 mm  |

## Recommended Box Dimension / Dimensiones de Caja Recomendadas:



### Parameters / Parametros

**Box External Dimensions / Dimensiones Externas de la Caja**

(WxHxD): 25.59"x13.78"x6.98"

**Material Thickness /**

Grueso del material: 0.59" / 15 mm

**Net Internal Volume /**

Volumen interno neto: 1.00 ft<sup>3</sup>

### Wood Cuts / Cortes de la Madera Qty

**Top-Bottom / Arriba-Abajo**

(WxH): 25.59"x6.98" 2

**Front-Rear / Frente-Atras**

(WxH): 25.59"x12.60" 2

**Left-Right / Izquierdo-Derecho**

(WxH): 5.80"x12.60" 2

**WE LIKE IT LOUD**

FOR MORE INFORMATION PLEASE VISIT  
[DS18.COM](http://DS18.COM)

**DS18®**