

# DS18®

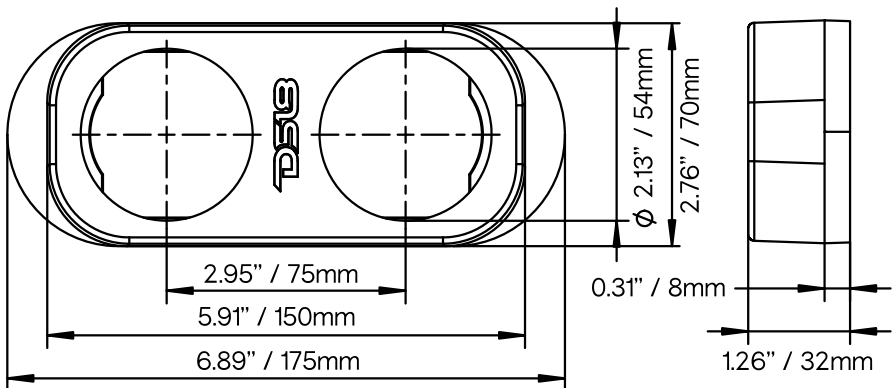
## EN2T

### UNIVERSAL TWEETER ENCLOSURE



THIS ENCLOSURE FITS: 2 x 1" TWEETERS

- ▶ 2 x 1" DOME TWEETER  
(EXL-TW2.5 OR PRO-TWN5 RECOMMENDED)
- ▶ INJECTED HIGH DENSITY ABS
- ▶ UV PROTECTED AND ALL ELEMENTS READY



DS18.COM

# #WE LIKE IT LOUD

