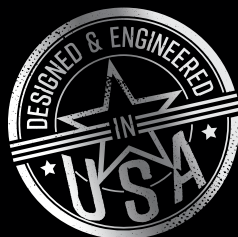


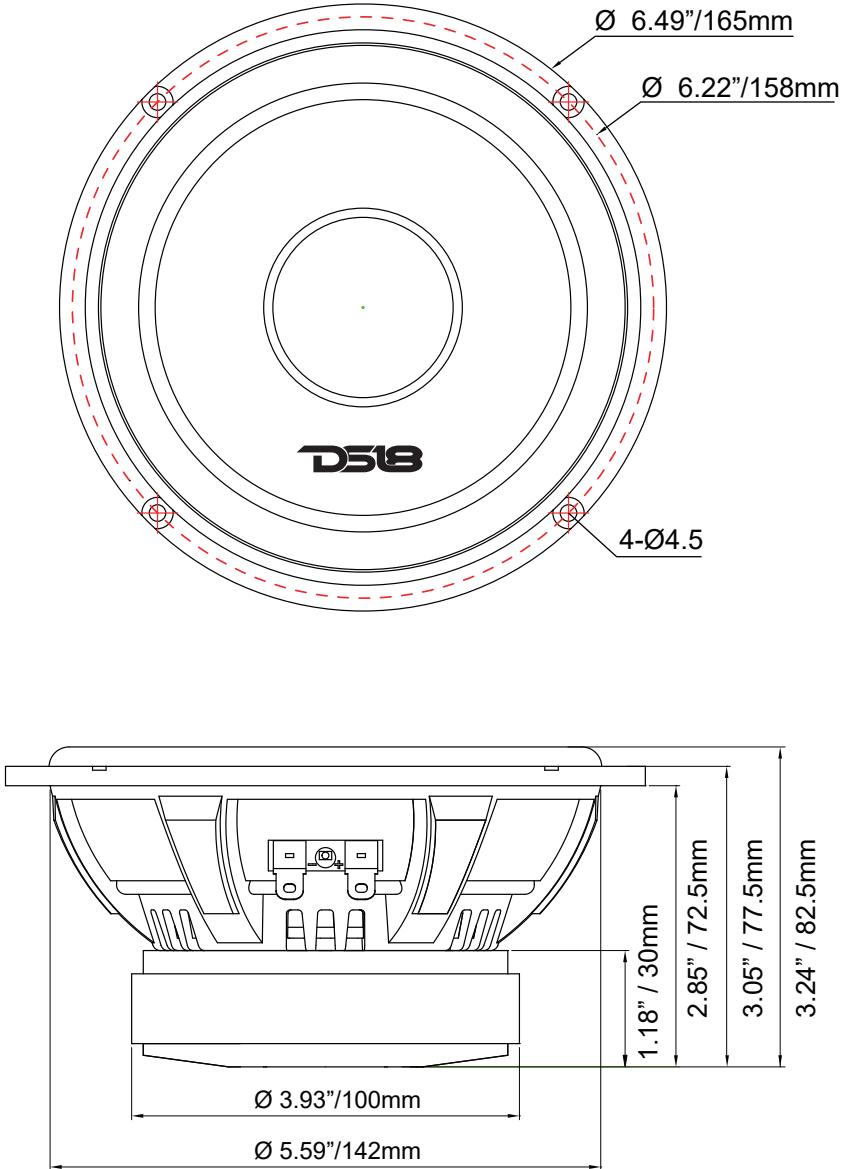
# DS18<sup>®</sup>

DX3



OWNER'S MANUAL

# DX3W WOOFER





### Specifications:

Nominal Diameter .....	6.5"
Nominal Impedance .....	4 OHMS
Peak Power Handling .....	400W
Program Power Handling .....	200W
AES Power Handling .....	100W
Sensitivity (1w/1m) .....	89 dB
Frequency Response .....	50hz-12KHz
Recommended HI Pass Crossover .....	45 Hz

### Motor

Voice Coil Diameter .....	1.2"/30.5 mm
Voice Coil Former Material .....	TIL
Winding Material .....	SV
Cone Material .....	Carbon Fiber
Surround Material .....	Rubber Edge
Basket Material .....	Aluminum
Magnet Material .....	Ferrite
Magnet Weight .....	20.2 oz

### Thiele & Small Parameters

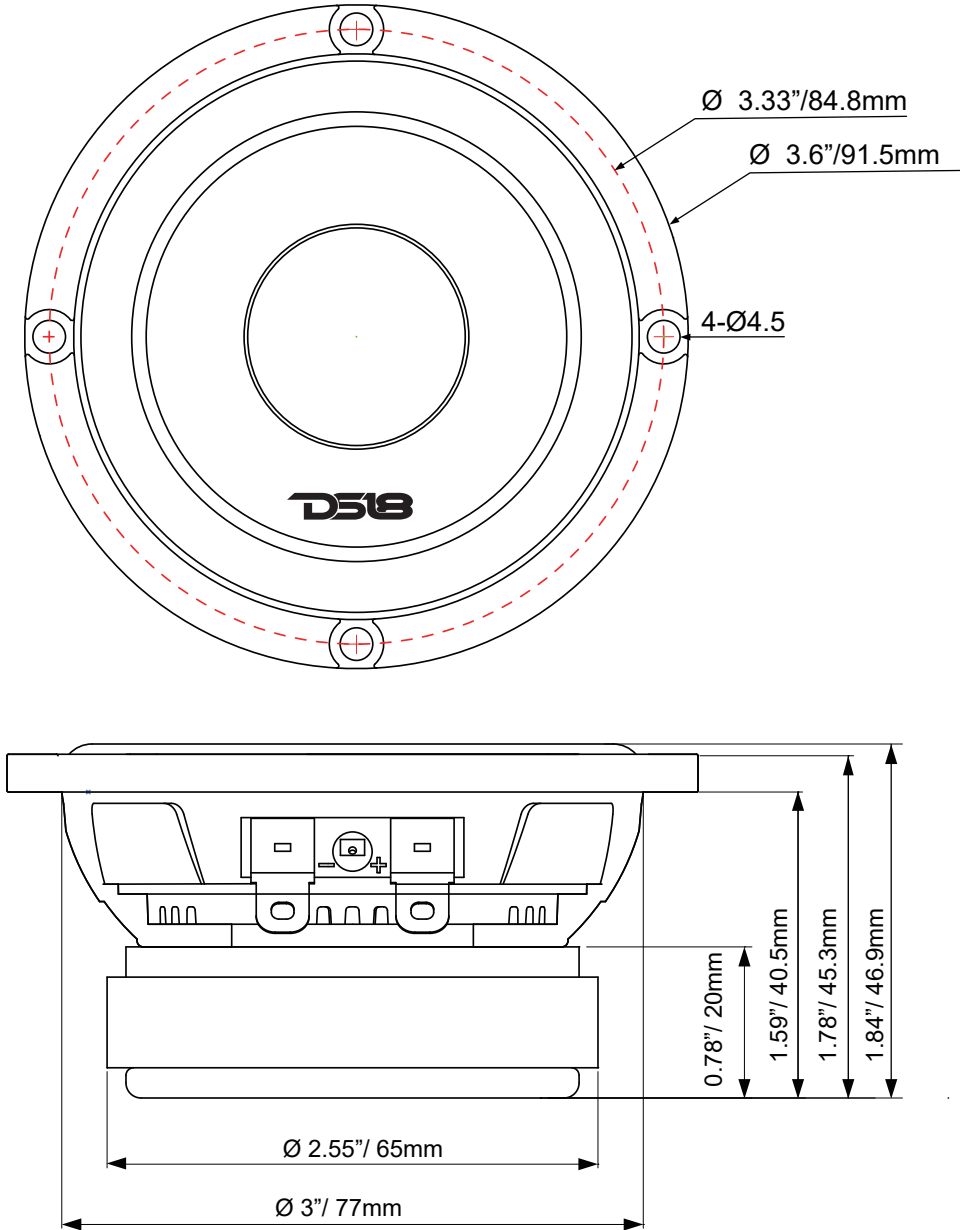
Equilivant Volume .....	Vas .....	19.5L
Excursion .....	Xmax .....	5mm
Free Air Resonance .....	Fs .....	50Hz
Mechanical Factor .....	Qms .....	7.3
Electrical Factor .....	Qes .....	0.4
Total Factor .....	Qts .....	0.38
Moving Mass .....	Mms .....	12.6g
Compliance .....	Cms .....	785 mm/N
Force Factor .....	BL .....	5.8N/A
Voice Coil Inductance .....	Le .....	60 mH
Diaphragm Area .....	Sd .....	13.27cm <sup>2</sup>
Dc Resistance .....	Re .....	3.2 ohms
Mechanical Mass without Air .....	Mmd .....	11.7g

### Measurements

Overall Diameter .....	6.49"/165 mm
Front Mount Baffle Cutout .....	5.59"/142 mm
Mounting Depth .....	2.85"/72.5 mm
Overall Depth .....	3.05"/77.5mm
Motor Diameter .....	3.93"/100mm

DS18W WOOFER

# DX3M MIDRANGE





**Specifications:**

Nominal Diameter .....	3.5"
Nominal Impedance .....	4 OHMS
Peak Power Handling .....	120W
Program Power Handling .....	60W
AES Power Handling.....	30W
Sensitivity (1w/1m) .....	89.4 dB
Frequency Response .....	85Hz-20KHz
Recommended Hi Pass Crossover .....	800 Hz

**Motor**

Voice Coil Diameter.....	1"/25 mm
Voice Coil Former Material .....	TIL
Winding Material .....	CCAW
Cone Material .....	Carbon Fiber
Surround Material.....	Rubber Edge
Basket Material .....	Aluminum
Magnet Material.....	Ferrite
Magnet Weight .....	5.5 oz

**Thiele & Small Parameters**

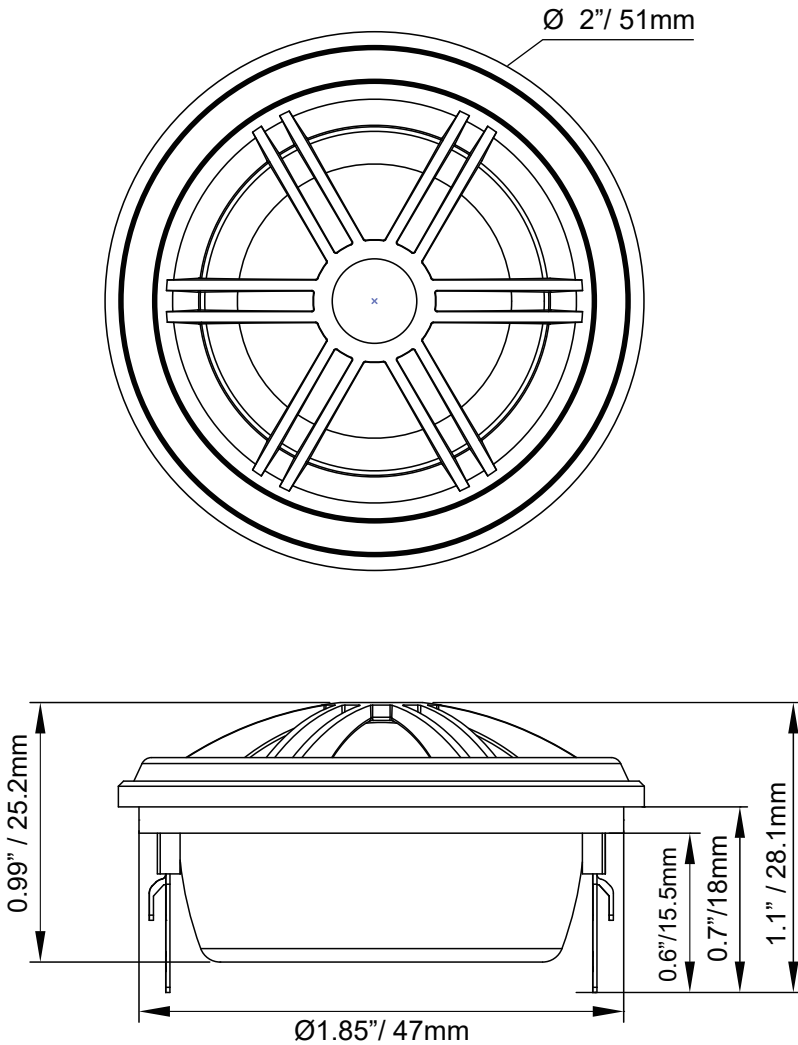
Equivilant Volume .....	Vas .....	1.221L
Excursion.....	Xmax .....	2mm
Free Air Resonance .....	Fs .....	96.4Hz
Mechanical Factor.....	Qms .....	11.06
Electrical Factor.....	Qes.....	0.464
Total Factor.....	Qts.....	0.445
Moving Mass .....	Mms .....	3.672g
Compliance .....	Cms.....	0.743 mm/N
Force Factor .....	BL .....	4.004
Voice Coil Inductance.....	Le .....	0.07046 mH
Diaphragm Area .....	Sd.....	34.212cm <sup>2</sup>
Dc Resistance .....	Re.....	3.364 ohms
Mechanical Mass without Air.....	Mmd .....	2.56g

**Measurements**

Overall Diameter .....	3.6"/91.5 mm
Front Mount Baffle Cutout .....	3"/77 mm
Mounting Depth.....	1.59"/40.5 mm
Overall Depth .....	1.84"/46.9mm
Motor Diameter.....	2.55"/65mm

DX3M MIDRANGE

# DX3T TWEETER





**SPECIFICATIONS:**

Nominal Diameter .....	1.18"
Nominal Impedance .....	4 ohms
Peak Power Handling .....	60 Watts
Program Power Handling .....	30 Watts
AES Power Handling .....	15 Watts
Sensitivity (1W/1W) .....	90dB
Frequency Response .....	800Hz-20Khz
Recommended HI Pass Crossover .....	3.8 KHz

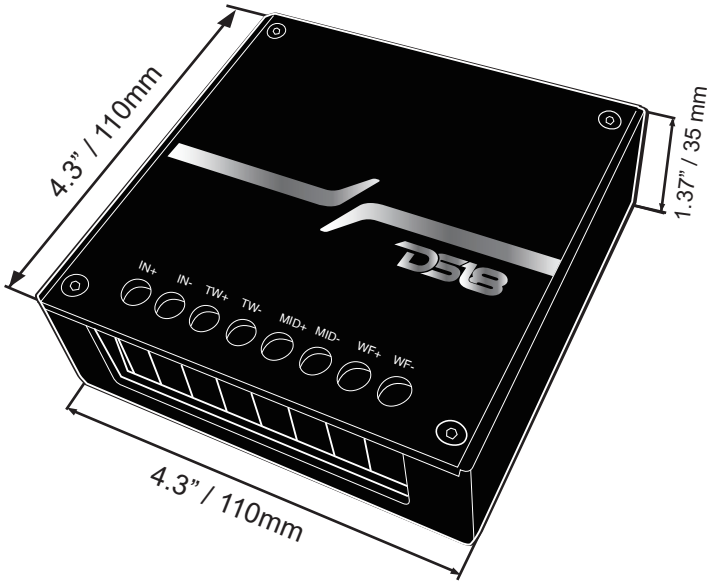
**DX3BT TWEETER**

**MOTOR**

Voice Coil Diameter .....	0.98"
Voice Coil Former Material .....	ASV
Winding Material .....	CCAW
Diaphragm Material .....	Silk
Magnet Material .....	Neodymium
Magnet Weight .....	14 oz
Body Material .....	ABS

**MEASUREMENT**

Overall Diameter .....	2" / 51mm
Overall Depth .....	1.1"/28.1 mm
Front Mount Baffle Cutout .....	1.85" x 47 mm
Mounting Depth .....	0.7" / 18 mm



# OXEBC CROSSOVER

## SPECIFICATIONS:

Passive Crossover Ways .....	3 Ways
Frequency Crossover .....	800HZ (Mid) 3.8 KHz (Tw)
Power Handling .....	300 Watts
Cut Off Slope .....	6dB (Mid) 12dB (Tw)/ Oct
Tweeter Attenuation.....	(+/-) 3dB

## FEATURES

Capacitor Type .....	Metac Film
Coil Type .....	Inductor
Terminals Type .....	Screw Terminal
Housing Material .....	ABS
Adjustments.....	Tw Att Switch
Extra Features .....	Spk Phase Switch

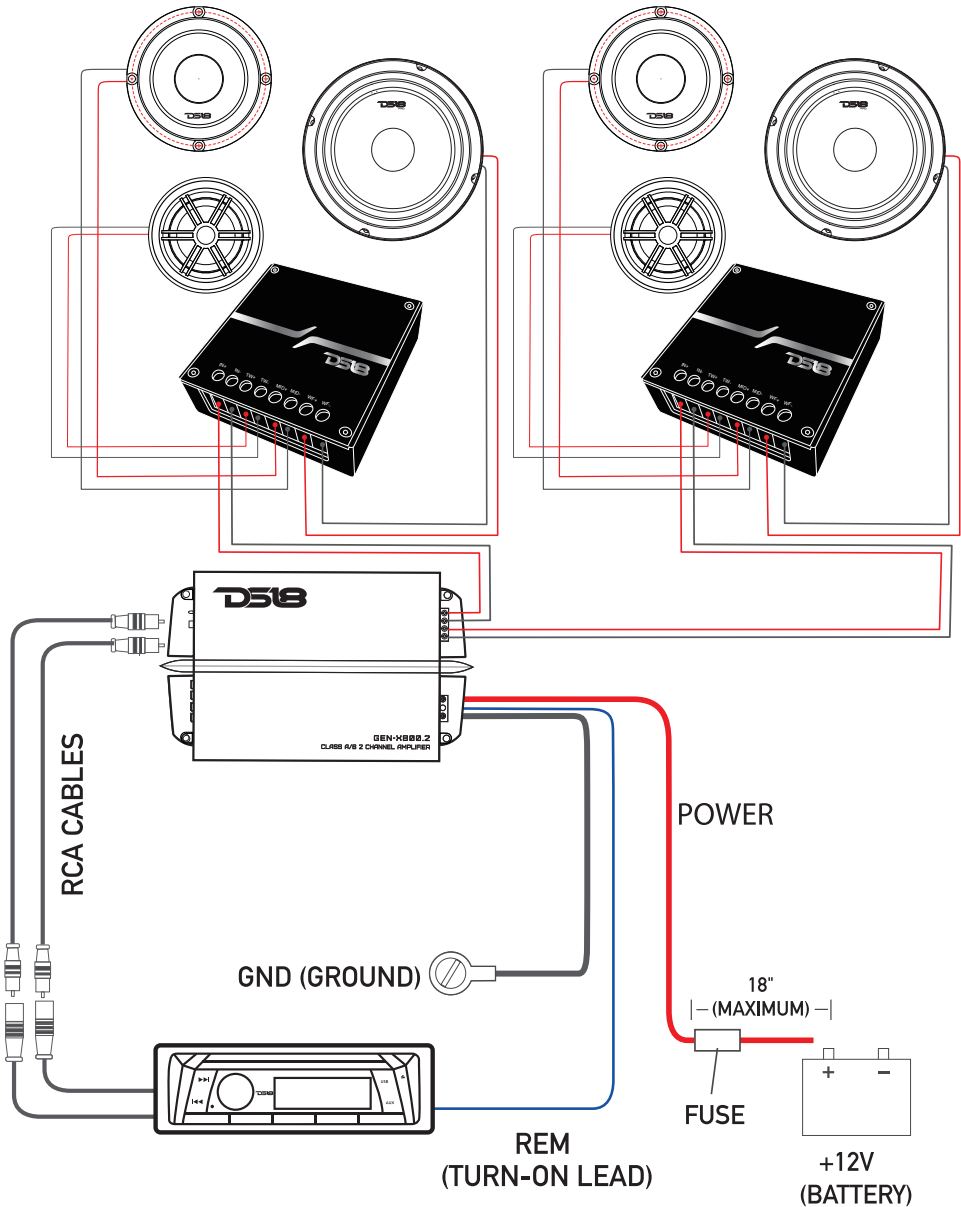
## MEASUREMENT

Overall Lenth .....	4.3"/110 mm
Overall Depth .....	4.3"/110 mm
Overall Height.....	1.37"/35 mm





# DX3 INSTALLATION



DS18®

DX3

WE LIKE  
IT LOUD



WWW.DS18.COM