

The DS18 logo is rendered in a bold, metallic, sans-serif font. The letters 'D', 'S', and '1' are connected, and the '8' is also connected to the '1'. A registered trademark symbol (®) is located at the top right of the '8'. The logo is set against a red background with a silver horizontal band above it.

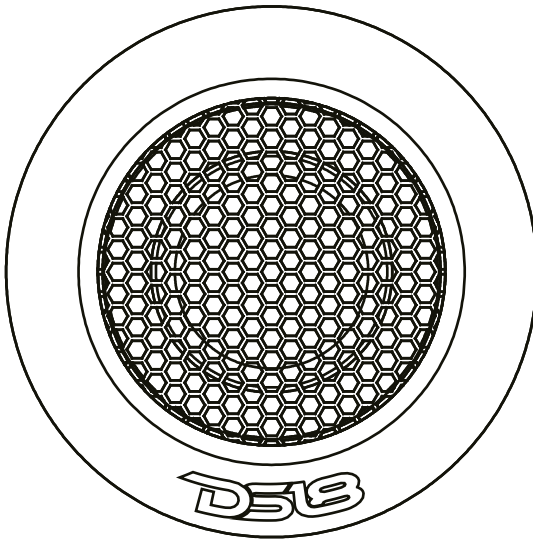
OWNER'S MANUAL
MANUAL DEL USUARIO

DTX

**2.2" SOUND QUALITY
TITANIUM DOME TWEETER
WITH ALUMINUM BODY**

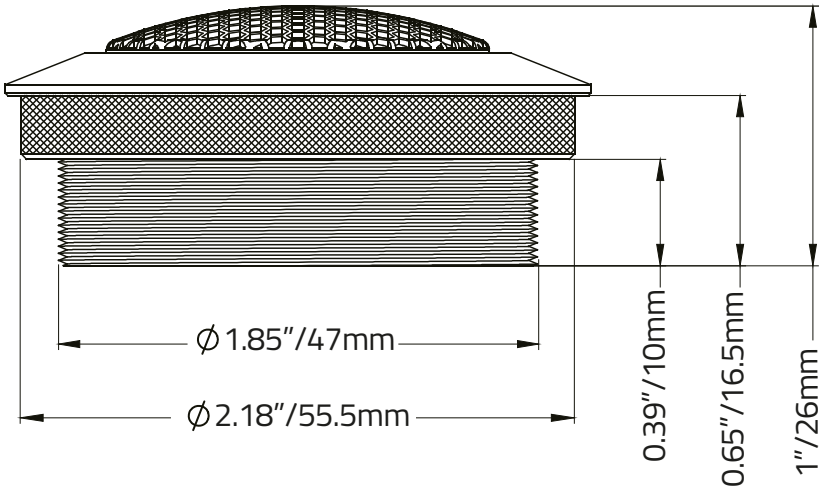
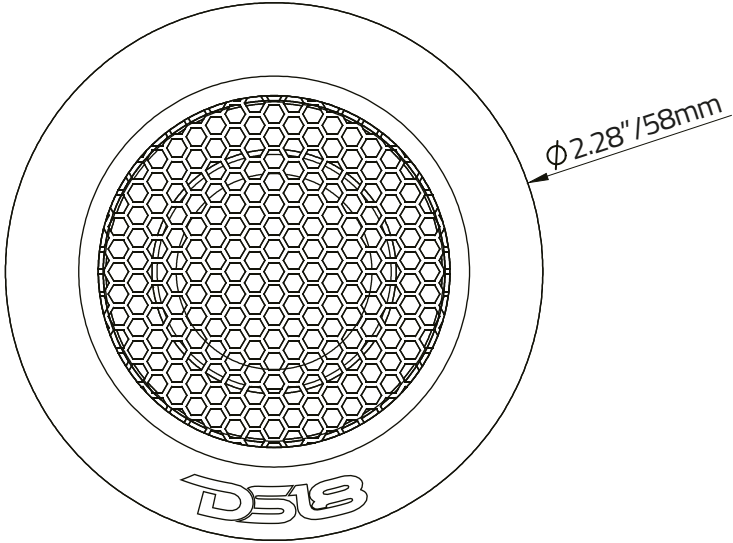
TWEETER DE 2.2" CON DOMO DE
TITANIO PARA CALIDAD DE
SONIDO Y CUERPO DE ALUMINIO

4Ω



ENGLISH | ESPAÑOL







SPECIFICATIONS / ESPECIFICACIONES:

Nominal Diameter / Diámetro Nominal.....	2.2" / 58 mm
Nominal Impedance / Impedancia Nominal	4 OHMS
AES Power Handling / Manejo de Potencia AES	15 Watts
Program Power Handling / Manejo de Potencia del Programa	30 Watts
Peak Power Handling / Manejo de Potencia Máxima	60 Watts
Sensitivity (1w/1m) / Sensibilidad (1w / 1m)	95.2 dB
Frequency Response / Respuesta de Frecuencia	900 Hz - 20 KHz
Recommended Hi Pass Crossover / Corte Paso Alto Recomendado	3.8 KHz

BODY | FEATURES / CUERPO | CARACTERÍSTICAS:

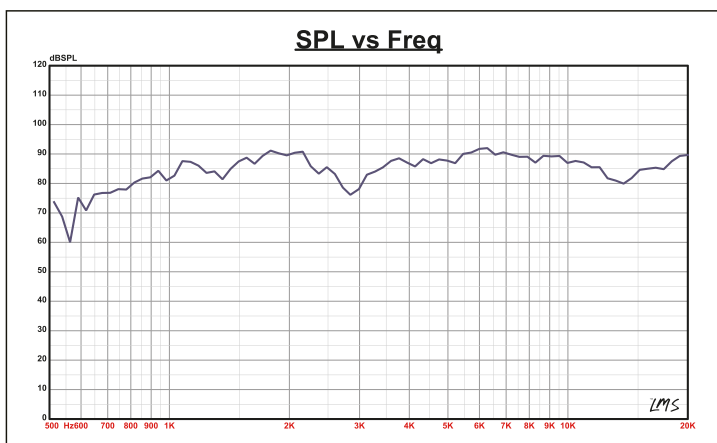
Pair or Single / Par o Unidad	Pair / Par
Body Material / Material del Cuerpo.....	Aluminum / Aluminio
Body Color / Color del Cuerpo	Silver / Plata

MOTOR / MOTOR:

Voice Coil Diameter / Diámetro de la Bobina de Voz	1" / 25.4 mm
Voice Coil Former Material / Material Interior de la Bobina de Voz	KVC
Winding Material / Material de Bobinado	CCAW
Diaphragm Material / Material del Diafragma	Titanium / Titanio
Magnet Material / Material del Imán	Neodymium / Neodimio

MEASUREMENTS / MEDIDAS:

Overall Diameter / Diámetro Total	2.28" / 58 mm
Overall Depth / Profundidad Total	1" / 26 mm
Front Mount Baffle Cutout / Corte del Orificio de Montaje	1.85" / 47 mm
Mounting Depth / Profundidad de Montaje	0.65" / 16.5 mm





FOR MORE INFORMATION
PLEASE VISIT
DS18.COM

WE LIKE IT LOUD

The DS18 logo, featuring the letters "DS18" in a bold, italicized, sans-serif font. The "1" is stylized as a vertical bar. The logo is positioned at the bottom right of the page, above a thick red horizontal line that spans the width of the page. A registered trademark symbol (®) is located to the upper right of the "8".