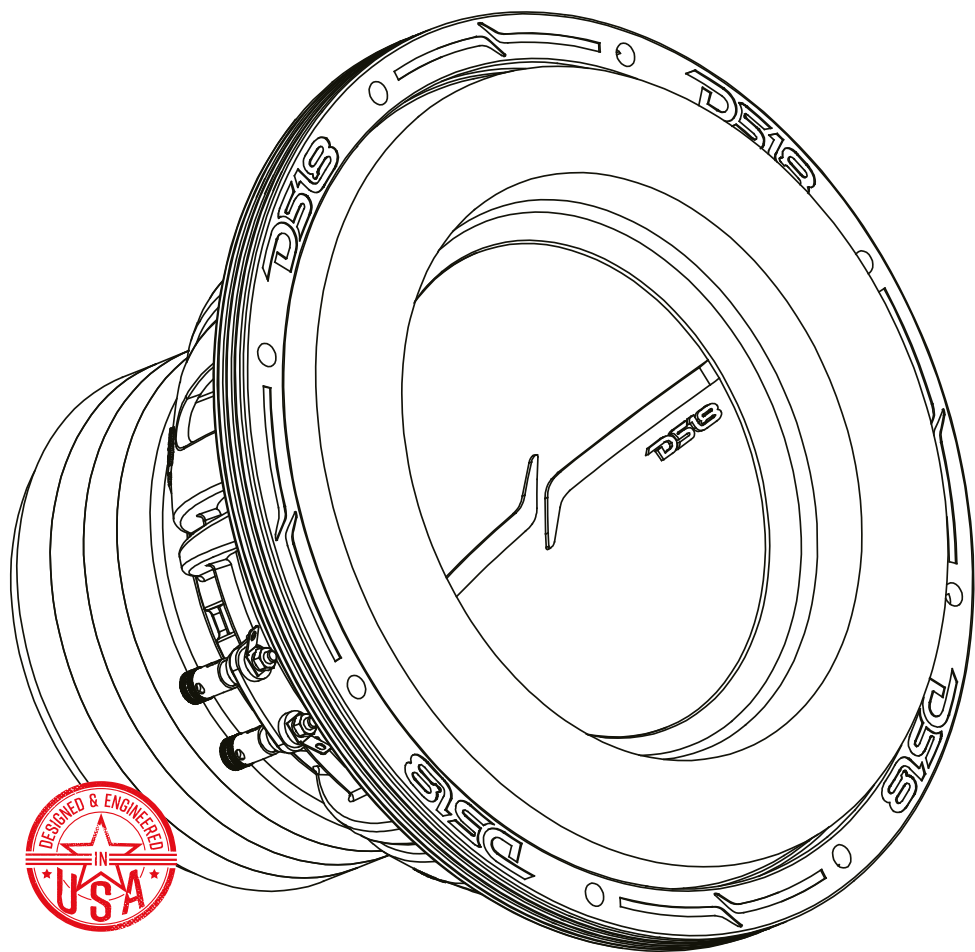




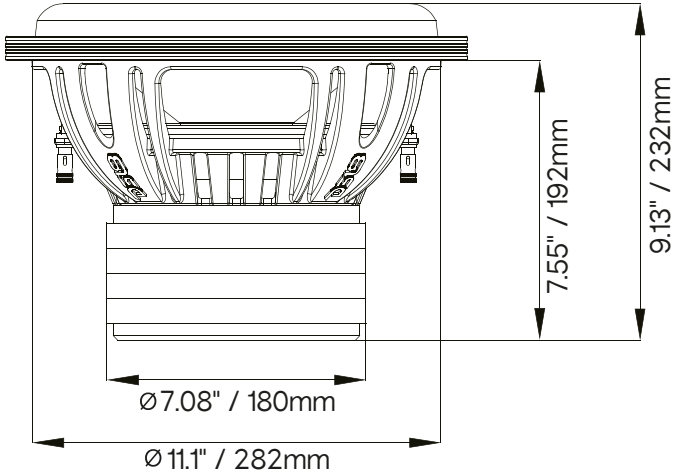
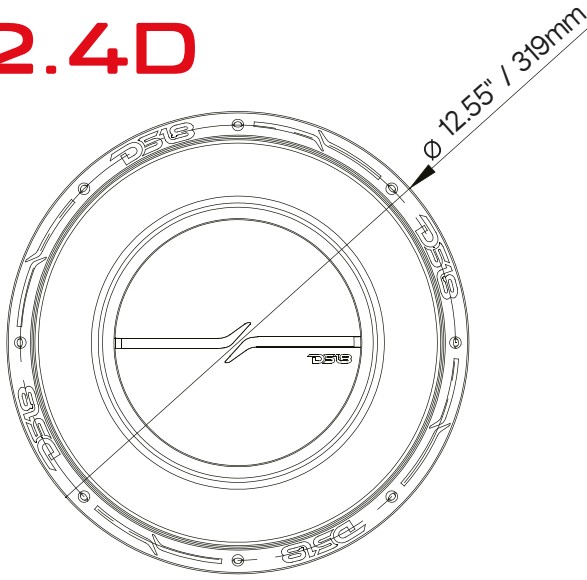
# DS18<sup>®</sup>

OWNER'S MANUAL

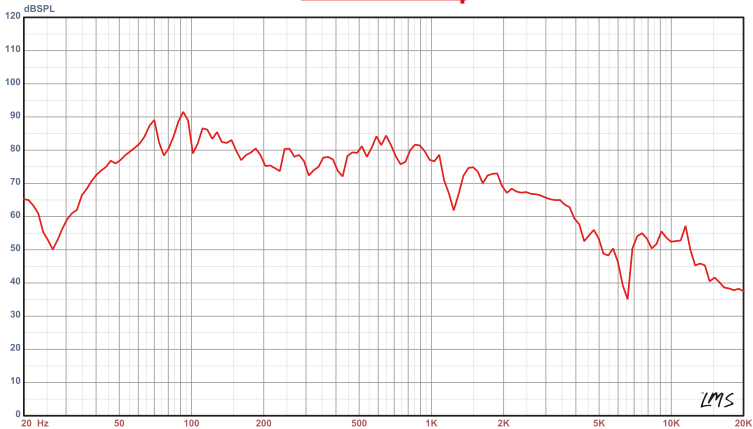
**ZXi12.4D**  
HIGH EXCURSION  
12" SUBWOOFER DVC 4-OHM



# ZXi12.4D



## SPL vs Freq





### Specifications:

Nominal Diameter.....	12"
Nominal Impedance .....	4 + 4 ohms
RMS Power Handling .....	1000 Watts
MAX Power Handling .....	2000 Watts
Sensitivity (1w/1m) .....	89.2dB
Frequency Response.....	10Hz - 1.8KHz
Recommended Lo Pass Crossover.....	90Hz

### Motor:

Voice Coil Diameter.....	3" (76.5mm)
Voice Coil Former Material.....	Black Aluminum
Winding Material.....	CCAW
Cone Material.....	Non-Pressed Paper
Dust Cap Material.....	PPI
Surround Material.....	Foam
Basket Material.....	Aluminum
Magnet Material.....	Ferrite
Magnet Weight.....	224 Oz (4 x 56 oz)
Displacement Volume.....	0.14 ft3 / 3.99 L

### Thiele & Small Parameters:

Equivilant Volume	Vas.....	15.635L
Free Air Resonance	Fs .....	31.4Hz
Mechanical Factor	Qms .....	5.274
Electrical Factor	Qes.....	0.594
Total Factor	Qts.....	0.534
Moving Mass	Mms.....	238.433g
Compliance	Cms.....	0.065
BI Factor	BI.....	14.55
Voice Coil Inductance	Le.....	12.89 mh
Diaphragm Area	Sd.....	530.93cm
Dc Resistance	Re.....	4.0+4.0 ohms
Efficiency Bandwith Product	EBP.....	52.8

### Measurements:

Overall Diameter.....	12.55" / 319mm
Overall Depth.....	9.13" / 232mm
Front Mount Baffle Cutout.....	11.1" / 282mm
Mouting Depth.....	7.55" / 192mm
Motor Diameter.....	7.08" / 180mm

ZXi12.4D



FOR MORE INFORMATION  
PLEASE VISIT  
[DS18.COM](http://DS18.COM)

*WE LIKE IT LOUD*

The DS18 logo, consisting of the letters "DS18" in a bold, stylized, italicized font. The "D" and "S" are connected, and the "18" is separate. A registered trademark symbol (®) is located to the upper right of the "8".

**DS18<sup>®</sup>**