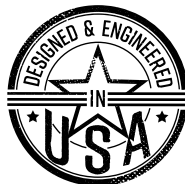
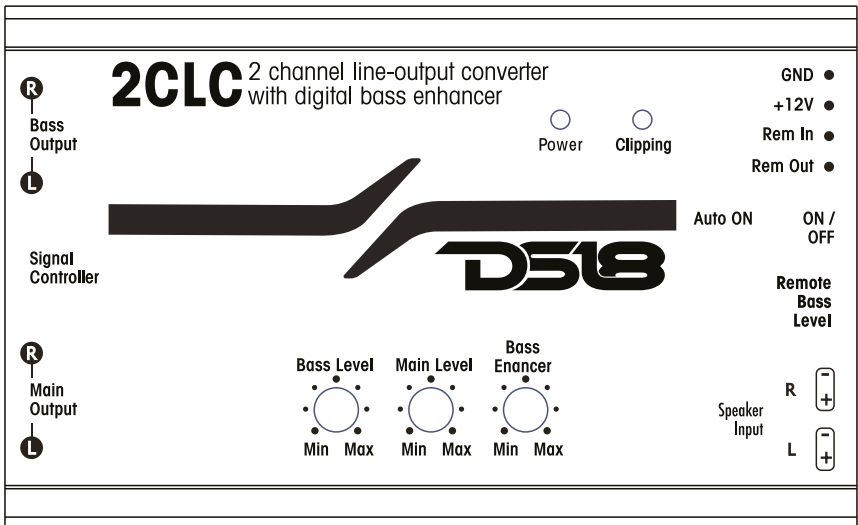


DS18®

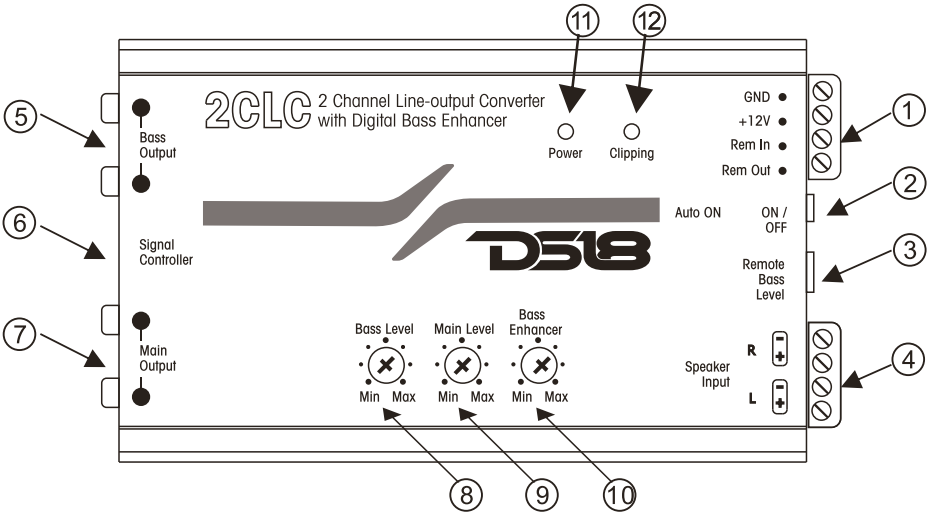
OWNER'S MANUAL

2CLC

2CH LINE-OUTPUT CONVERTER WITH DIGITAL BASS ENHANCER



2CLC



FUNCTIONS

1. Power connector
2. Auto On Selector
3. Port for Dash Remote
4. Speaker Level Input
5. Bass Output
6. Signal Controller
7. Fixed Preamp Output
8. Bass Level Matching Gain Controls
9. Main Level Matching Gain Controls
10. Bass Enhancer Level Matching Gain Controls
11. Power LED indicator
12. Clipping LED indicator



2CLC

INSTRUCTIONS FOR USER

1. Turn the system on and play some music with a good bass track.
2. Turn the volume up while listening for the bass.
3. If you hear a spot where the bass just drops right out...stop. Leave the volume
4. Set the Bass Enhancer Level control on top of the 2CLC to the center detent.
5. Now, use a small screwdriver to turn the Threshold control clockwise slowly until you hear the bass pop back in.
6. Re-adjust the Bass Enhancer Level control on the top of the unit to get proper amount of bass compensation, and you're ready for some ground pounding bass. OK, what if your bass doesn't roll off, but you still want more? No problem! Turn the Bass Enhancer Level control fully down, rotate the threshold control fully clockwise to lock in the bass equalization. Now you can turn up the Bass Enhancer Level control for the amount of bass you want.

SPECIFICATIONS

Maximum Speaker Level Input.....	400 watts per channel
Maximum Preamp Output.....	9V rms
Dash Level Remote Control.....	+0dB / - 19 dB
Frequency Response.....	10Hz-100kHz; + 1dB
Total Harmonic Distortion.....	0.01%
Signal To Noise Ratio.....	>110dB
Input Impedance.....	20K Ohms
Output Impedance.....	150 Ohms
Power Draw.....	150mA
Recommended Fuse Rating.....	1 Amp

Features:

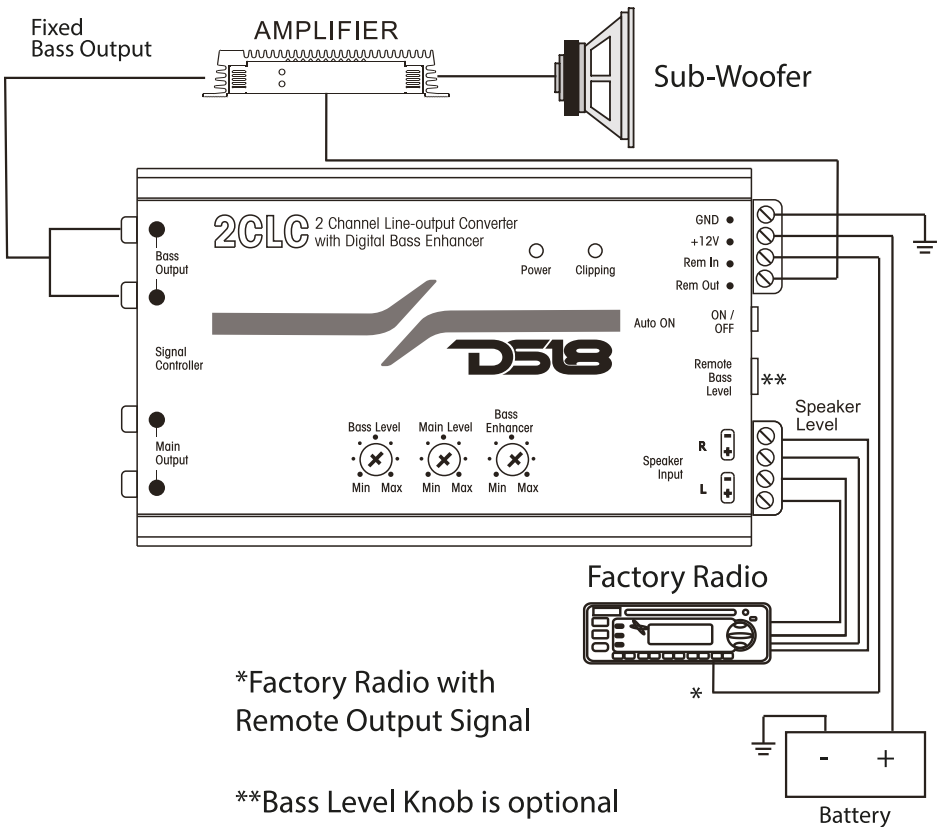
Speaker Level Input.....	2 Channels
Bass Enhancer.....	With adjustable control of bass roll-off
Selectable Auto ON.....	Signal sensing or remote in
Remote Output.....	Up to 150mA
Dual Amplifier Outputs.....	Main / Bass output
Level Matching Controls.....	Main / Bass output level knob
Dash Remote Level Control	Included
Led Indicators.....	Power/Clipping

Measurements:

Overall Length.....	6.18" / 157mm
Overall Wide.....	3.22" / 82mm
Overall Height.....	1.25" / 32mm
Heatsink Length	5.39" / 137mm
Gross Single Unit Weight.....	11oz

2CLC

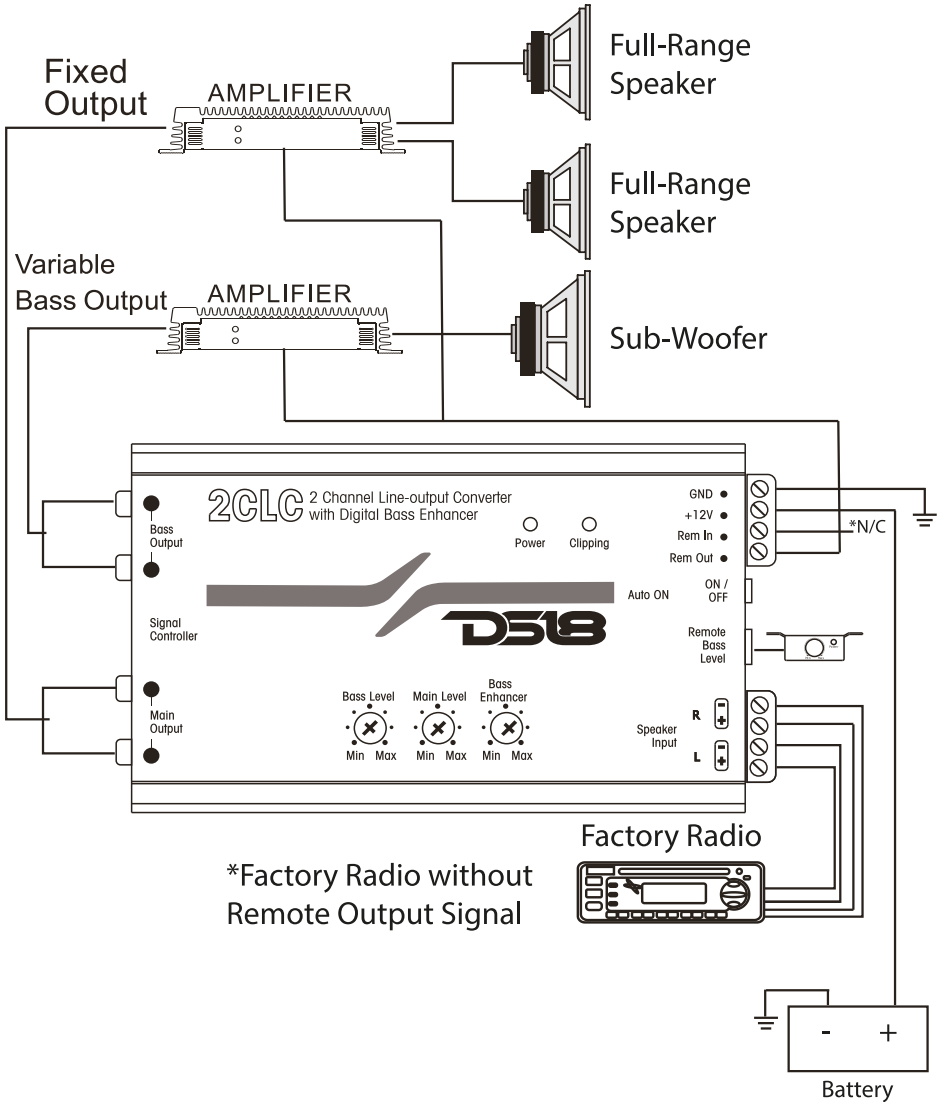
INSTALLATION FROM SUB-W SIGNAL

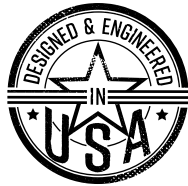


*Factory Radio with Remote Output Signal

**Bass Level Knob is optional

INSTALLATION FROM FULL-RANGE SIGNAL





FOR MORE INFORMATION
PLEASE VISIT
DS18.COM

WE LIKE IT LOUD



DS18[®]